

**Large-Print  
Voter Information Pamphlet  
City and County of San Francisco**

**Consolidated Special Municipal Election  
Tuesday, February 15, 2022  
from 7 a.m. to 8 p.m.**

**Department of Elections  
City and County of San Francisco  
1 Dr. Carlton B. Goodlett Place  
City Hall, Room 48  
San Francisco, CA 94102-4634  
(415) 554-4375  
TTY: (415) 554-4386  
*sfelections.org***

# Quick Guide to the February 15, 2022 Election

## Election Highlights

- Ballots will be mailed to all registered voters. This means any registered voter may vote by mail instead of going to the polls on Election Day.
- Any registered voter may access their ballot using the Accessible Vote-by-Mail system at [sfelections.org/access](https://sfelections.org/access).
- In-person voting opportunities are available at the City Hall Voting Center and over 300 polling places.

For more information about voting options, please turn to page 9 of this pamphlet.

## Important Dates

<b>January 17</b>	Ballots begin arriving to voters' mailboxes. Accessible Vote-by-Mail (AVBM) system opens to all local registered voters.
<b>January 18</b>	The City Hall Voting Center opens for in-person voting and ballot drop-off. 34 official ballot drop boxes are open in neighborhoods across San Francisco.
<b>January 31</b>	Last day to register to vote and receive a ballot in the mail. After January 31, anyone who is eligible to vote can still register conditionally and vote provisionally in person at the City Hall Voting Center or a polling place.
<b>February 5–6 and February 12–13</b>	The City Hall Voting Center opens during the two weekends before Election Day. Weekend hours are from 10 a.m. to 4 p.m.
<b>ELECTION DAY, Tuesday, February 15</b>	All polling places are open for vote-by-mail ballot drop-off and in-person voting from 7 a.m. to 8 p.m. To be counted, ballots returned by mail must be postmarked on or before February 15, ballots returned in person must be hand-delivered to the City Hall Voting Center, a ballot drop box, or a polling place by 8 p.m. on Election Day, February 15.

## San Francisco Voter Information Pamphlet

Published by the Department of Elections

City and County of San Francisco

1 Dr. Carlton B. Goodlett Place

City Hall, Room 48

San Francisco, CA 94102-4634



Printed on 100%  
recycled paper

The Voter Information Pamphlet is also available in the “Voting” section of our website, *sfelections.org*. If you would like to stop receiving the large-print version of the Voter Information Pamphlet by mail, or if you would prefer to receive it in an audio format, please contact the Department of Elections at (415) 554-4375.

**Service for voters with disabilities:**

The accessible vote-by-mail system allows voters with disabilities to access their ballot using any computer with internet access (see page 23).

**NOTE:** Some information in this large-print version is presented in a different order than in the main printed version of the Voter Information Pamphlet. Also, because this version is created from the main version, there are references to some items that are not included in this version, such as:

- your sample ballot, and
- specific information about your assigned polling place.

These items can be found in the main version of the Voter Information Pamphlet that was mailed to you. The information can also be accessed through our website, *sfelections.org*.

# Table of Contents

## Voter Information Pamphlet

### Consolidated Special Municipal Election — February 15, 2022

---

#### General Information

---

Election Highlights and Dates .....	(inside front cover)
Letter from the Director .....	4
Overview of Official Voter Information Resources .....	7
Ballot Simplification Committee .....	7
Help redraw San Francisco’s Supervisorial District boundaries .....	8
Voting Options .....	9
Vote By Mail .....	9
Vote Early at the City Hall Voting Center .....	11
Vote at Your Assigned Polling Place on Election Day .....	11
Official Ballot Drop Boxes in San Francisco .....	12
Voter Bill of Rights .....	15
Elections Commission .....	16
Offices To Be Voted on in this Election .....	17
Ballot Measures To Be Voted on in this Election .....	19
Marking Your Ballot .....	20
How to get a new ballot if you made a mistake .....	20
Ranked-Choice Voting .....	21
Accessible Voting and Services .....	23
Multilingual Voting Services .....	25
中文選民服務 .....	25
Asistencia en español para los electores .....	25
Tulong para sa botante sa wikang Filipino .....	25
မန်မာဘာသာဖြင့် မဲပေးသူအတွက် အူ အည .....	25
日本語による投票支援 .....	26
유권자를 위한 한국어 지원 .....	27
ความช่วยเหลือเป็นภาษาไทยแก่ผู้ลงคะแนนเสียง .....	27
Dịch vụ/tài liệu hỗ trợ cử tri bằng tiếng Việt .....	28

Frequently Asked Questions (FAQs) about Registration and Voting in San Francisco .....	29
Registration FAQs .....	29
Vote-By-Mail Ballot Delivery FAQs .....	30
Vote-By-Mail Ballot Return FAQs .....	31
In-Person Voting FAQs .....	32
Key Facts about the City's Voting System .....	103
Keep Your Voter Registration Information Current.....	104
Voter Registration Privacy Information .....	104
Safe at Home Program .....	104

---

## **Candidate Statements of Qualifications**

---

Candidate Information .....	18
Party Endorsements .....	18
Candidates for State Assembly, District 17 (if applicable) .....	34
Candidate for Assessor-Recorder .....	38

---

## **School Board Recall Contests Information**

---

Recall Contests as Ballot Measures .....	19
Proponents' Statement of Reasons for the Recall and the Board of Education Member's Answer – Alison Collins .....	40
Proponents' Statement of Reasons for the Recall and the Board of Education Member's Answer – Gabriela López.....	41
The Board of Education Member's Statement – Gabriela López .....	42
Proponents' Statement of Reasons for the Recall and the Board of Education Member's Answer – Faauuga Moliga .....	43
The Board of Education Member's Statement – Faauuga Moliga ....	45

---

## **Local Ballot Measures**

---

Local Ballot Measure and Argument Information .....	19
A Recall Measure Regarding Alison Collins .....	47
B Recall Measure Regarding Gabriela López.....	68
C Recall Measure Regarding Faauuga Moliga.....	86

**DEPARTMENT OF ELECTIONS**  
**City and County of San Francisco**  
*sfelections.org*

Dear San Francisco Voter,

December 10, 2021

For the February 15, 2022, Consolidated Special Municipal Election, everyone who is registered to vote in San Francisco by January 31, 2022, will receive their one-card ballot in the mail. After the January 31 registration deadline, and through Election Day, people can still register to vote but will need to do so in person at the City Hall Voting Center or a polling place.

**Local Recall Elections**

Unlike the September 2021 statewide recall election, voters in local recall elections do not vote on potential replacement candidates. Instead, if more people vote “Yes” on a recall ballot measure, the local official is removed from office, and the Mayor will appoint someone to fill the newly vacant office.

**Returning Your Vote-By-Mail Ballot**

If you drop your ballot envelope into a blue USPS box, or a letterbox, be sure to check the date and time the USPS will collect your ballot. The reason is the Department can only count ballots in envelopes postmarked on or before Election Day, February 15. You can search for the nearest USPS boxes and pickup times at *usps.com/locator*.

Starting January 18 through 8 p.m. on Election Day, the Department will provide 34 official ballot drop boxes in neighborhoods across San Francisco. Any voter may choose to use an official ballot drop box to return their voted ballot. You can find the locations of the ballot drop boxes in this voter information pamphlet and on our website, *sfelections.org/balлотdropoff*.

On Election Day, you can also return your voted ballot to any of the City's 314 neighborhood polling places, open from 7 a.m. to 8 p.m.

### **Tracking the Status of Your Vote-By-Mail Ballot**

Voters can track their ballots as they move through the steps of assembly, delivery, processing, and counting at *sfelections.org/voterportal*. Voters can also sign up to receive notifications on the status of their ballots via email, text, or voice message at *wheresmyballot.sos.ca.gov*.

### **Accessible Vote-by-Mail System**

Beginning January 17, any voter can use the Department's accessible vote-by-mail (AVBM) system at *sfelections.org/access* to access and mark their ballot using their own assistive technology. After marking an AVBM ballot, the voter must print out the ballot, place it in the envelope, and return the ballot envelope to the Department of Elections.

### **Voting in Person**

On January 18, the Department will open its Voting Center located inside City Hall, which is available to all voters.

The Voting Center will be open every weekday, 8 a.m. – 5 p.m., the two weekends prior to Election Day (February 5–6, and February 12–13), 10 a.m. – 4 p.m., and Election Day, February 15, 7 a.m. – 8 p.m. The Voting Center serves all City residents who want to vote in person, drop off their voted ballots, use accessible voting equipment, or, after the January 31 registration deadline, to register and vote provisionally.

On Election Day, polling places will open for in-person voting and vote-by-mail ballot drop-off services from 7 a.m. – 8 p.m. The location of your polling place is printed on the back cover of the main version of the Voter Information Pamphlet that was mailed to you.

For more information, call the Department, (415) 554-4375, email [sfvote@sfgov.org](mailto:sfvote@sfgov.org), or visit [sfelections.org](http://sfelections.org).

Respectfully,  
John Arntz, Director

---

*sfelections.org*

1 Dr. Carlton B. Goodlett Place  
City Hall, Room 48, San Francisco, CA 94102

English (415) 554-4375

Fax (415) 554-7344

TTY (415) 554-4386

中文 (415) 554-4367

Español (415) 554-4366

Filipino (415) 554-4310



# Overview of Official Voter Information Resources

---

## The San Francisco Voter Information Pamphlet (VIP)

---

The San Francisco Department of Elections prepares this pamphlet with the purpose of providing non-partisan information about voting in the upcoming election. This VIP includes information about local candidates and ballot measures for the February 15, 2022 election.

This VIP is also available online in PDF, HTML, XML, or MP3 format at [sfelections.org/vip](https://sfelections.org/vip) and in large print, CD audio, USB, and National Library Service (NLS) cartridge by request.

***Want to save paper?*** Per elections law, elections officials must mail all registered voters hard copy pamphlets, with the exception of those who have opted out of hard copy mailings in favor of electronic delivery. To opt in or out of hard copy pamphlet mailings, please submit your request at [sfelections.org/voterportal](https://sfelections.org/voterportal) or call (415) 554-4375.

## The Ballot Simplification Committee

Prior to each election, San Francisco's Ballot Simplification Committee (BSC) works in public meetings to prepare impartial, plain language summaries of local ballot measures. The BSC also helps prepare the "Words You Need to Know" and the "Frequently Asked Questions" sections of the VIP.

BSC members are volunteers and come from a variety of backgrounds, including journalism, education, and written communication. The BSC's current members are:

Betty Packard, Chair

*Nominated by:*

*the National Academy of Television Arts and Sciences*

Ann Merrill  
*Nominated by:*  
*the League of Women Voters*

Scott Patterson  
*Nominated by:*  
*the National Academy of Television Arts and Sciences*

Michele Anderson  
*Nominated by:*  
*Pacific Media Workers Guild*

Andrew Shen, *ex officio\**  
*Deputy City Attorney*

*\*By law, the City Attorney, or his or her representative, serves on the Ballot Simplification Committee and can speak at BSC meetings but cannot vote.*

## **Happening Now! Help redraw San Francisco's Supervisorial District boundaries!**

Members of the public are invited to provide their comments and submit map proposals to the San Francisco's Redistricting Task Force, which is now considering the new boundaries for the City's Supervisorial Districts.

Members of the public may use the Redistricting Tool at [redrawmysf.publicredistricting.com](http://redrawmysf.publicredistricting.com) to draw their own maps and submit them to the Redistricting Task Force for consideration.

Visit [sfelections.org/rdtf](http://sfelections.org/rdtf) to learn more about the redistricting process, provide feedback on map proposals, view the Task Force's meeting schedule, or watch videos of their past meetings.

In late 2021, following the release of 2020 U.S. Census Bureau data, San Francisco's Mayor, Board of Supervisors, and Elections Commission formed a nine-member Redistricting Task Force to rebalance the number of residents living in each of the City's

Supervisorial Districts and redraw Supervisorial district boundaries. The Task Force must complete this work by April 15, 2022.

## Voting Options

As a San Francisco voter, you can choose to vote in the February 15 election **by mail** or **in person** at the City Hall Voting Center or at a polling place.

---

### Vote by Mail

---

Around January 17, the Department of Elections will begin sending vote-by-mail (VBM) packets, each containing an official ballot, instructions, an “I Voted!” sticker, and a postage-paid return envelope, to all locally registered voters. On January 17, the Department will also open its accessible vote-by-mail (AVBM) system, with screen readable ballots compatible with personal assistive devices, at [sfelections.org/access](https://sfelections.org/access). Any registered voter may access their ballot through the AVBM system.

Whether you use a paper or accessible ballot, you will need to complete these three steps:

	<b>Paper Vote-by-Mail Ballot</b>	<b>Accessible Vote-by-Mail Ballot</b>
<b>1: Mark your Ballot</b>	Read the instructions printed on your ballot before making your selections.	Go to <a href="https://sfelections.org/access">sfelections.org/access</a> to access your ballot and read the online instructions before making your selections.
<b>2: Prepare your Envelope</b>	Remove the receipt from the top of your ballot and place the ballot in the return envelope. Complete and sign the back of the envelope, then seal it.	Print out your ballot and place it in the return envelope. Complete and sign the back of the envelope, then seal it.

**3: Return your Ballot**

To be counted, **ballots returned by mail** must be postmarked no later than Election Day, February 15. (No postage is required if mailing via the USPS.)

If you mail your ballot on Election Day, please check the last collection time — if the last mail collection has already occurred, your ballot will be postmarked late and will not be counted.

To be counted, **ballots returned directly to the Department of Elections** must be dropped off no later than 8 p.m. on Election Day, February 15. From January 18 to February 15, you can return your ballot to any official ballot drop box or the City Hall Voting Center. On Election Day, February 15, you can return your ballot to any official ballot drop box, the City Hall Voting Center, or any polling place in the City no later than 8 p.m.

**New!** Thirty four (34) official ballot drop boxes will be open 24 hours a day starting January 18 through 8 p.m. on Election Day, February 15 in neighborhoods across San Francisco. These ballot drop boxes provide voters with a secure, accessible, and contact-free method to return their mailed ballots. Each ballot box bears an American flag and the official seal of the City and County of San Francisco and is clearly marked as an “Official Ballot Drop Box”. A list of ballot drop box locations along with the map are included on pages 12–14. For more information on ballot drop boxes, go to *[sfelections.org/balлотdropoff](http://sfelections.org/balлотdropoff)* or call (415) 554-4375.

---

## **Vote Early at the City Hall Voting Center**

---

The City Hall Voting Center will be open to all San Franciscans who wish to register to vote or vote in person, use accessible voting equipment, receive personal assistance, or return their mailed ballots:

- Every weekday, starting January 18 through February 14, from 8 a.m. to 5 p.m.
- The last two weekends before Election Day (February 5–6 and February 12–13), from 10 a.m. to 4 p.m.
- On Election Day, Tuesday, February 15, from 7 a.m. to 8 p.m.

---

## **Vote at your Assigned Polling Place on Election Day**

---

Between 7 a.m. and 8 p.m. on Election Day, February 15, 314 polling places will be open for in-person voting and ballot drop-off services.

Your polling place may have changed for this election! Check the address of your assigned polling place, along with accessibility information, on the back cover of the main version of the Voter Information Pamphlet that was mailed to you. If your assigned polling place changes after this pamphlet has been printed, the Department of Elections will attempt to notify you via a postcard and a sign posted at your old polling place location. Prior to voting on Election Day, you may visit [sfelections.org/MyVotingLocation](https://sfelections.org/MyVotingLocation) to confirm your polling place address.

---

## **Locations and Map of Official Ballot Drop Boxes in San Francisco**

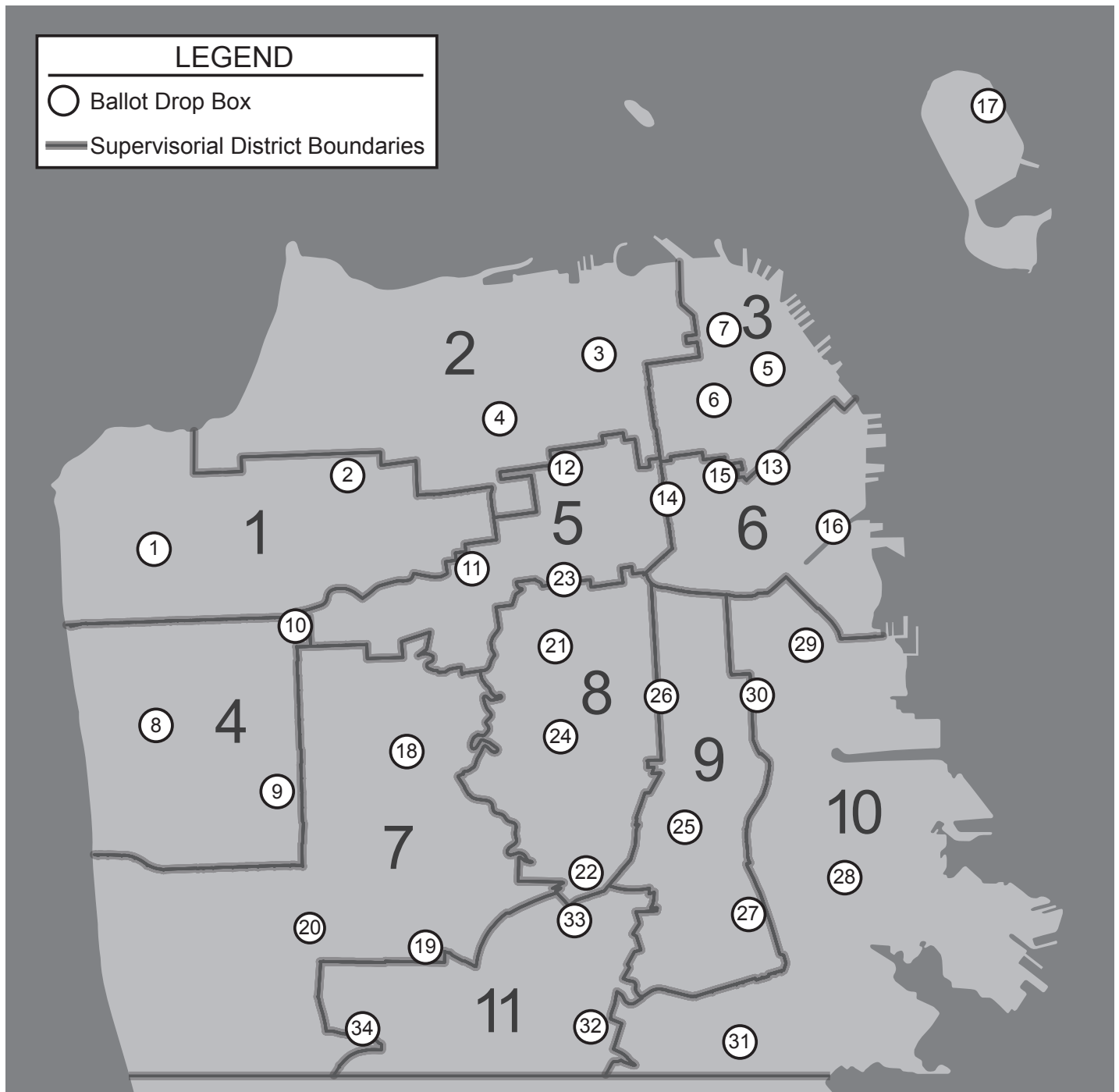
---

Any voter may choose to use an official drop box in San Francisco to drop off their ballot or the ballot of another California voter who has authorized them to do so.

Every ballot box will be located outdoors, placed on an accessible path of travel, and feature a simple ballot deposit slot, which will be positioned approximately 42 inches from the ground in order to

provide maximally convenient access to voters using wheelchairs or other mobility aids. All notices on every box will utilize a high-contrast and large-print font with an anti-glare finish designed to be legible to all voters, along with Braille-embossed instructions to guide voters to identify the location of the ballot deposit slot. All instructions will be printed in English, Chinese, Spanish, Filipino, Burmese, Japanese, Korean, Thai, and Vietnamese.

## Official Ballot Drop Boxes in San Francisco



<b>Super- visorial District</b>	<b>Ballot Drop Box</b>	<b>Location</b>	<b>Address</b>
1	1	Cabrillo Playground	853 38th Ave
1	2	Richmond/Senator Milton Marks Branch Library	351 9th Ave
2	3	Golden Gate Valley Branch Library	1801 Green St
2	4	Presidio Branch Library	3150 Sacramento St
3	5	City College of San Francisco - Chinatown Center	808 Kearny St
3	6	Huntington Park	California St and Taylor St
3	7	North Beach Branch Library	850 Columbus Ave
4	8	Ortega Branch Library	3223 Ortega St
4	9	Parkside Branch Library	1200 Taraval St
4	10	Sunset Branch Library	1305 18th Ave
5	11	Park Branch Library	1833 Page St
5	12	Western Addition Branch Library	1550 Scott St
6	13	City College of San Francisco - Downtown Center	88 4th St
6	14	City Hall	1 Dr Carlton B Goodlett Pl
6	15	Father Alfred E. Boeddeker Park	246 Eddy St
6	16	Mission Bay Branch Library	960 4th St
6	17	Ship Shape Community Center	850 Avenue I

<b>Super- visorial District</b>	<b>Ballot Drop Box</b>	<b>Location</b>	<b>Address</b>
7	18	Forest Hill Station (Muni Metro)	380 Laguna Honda Blvd
7	19	Ingleside Branch Library	1298 Ocean Ave
7	20	Merced Branch Library	155 Winston Dr
8	21	Eureka Valley Recreation Center	100 Collingwood St
8	22	Glen Park Branch Library	2825 Diamond St
8	23	Harvey Milk Recreation Center	50 Scott St
8	24	Noe Valley/Sally Brunn Branch Library	451 Jersey St
9	25	Bernal Heights Branch Library	500 Cortland Ave
9	26	City College of San Francisco - Mission Center	1125 Valencia St
9	27	Portola Branch Library	380 Bacon St
10	28	Bayview/Linda Brooks-Burton Branch Library	5075 3rd St
10	29	Potrero Branch Library	1616 20th St
10	30	Zuckerberg San Francisco General Hospital and Trauma Center	1001 Potrero Ave
10	31	Visitacion Valley Branch Library	201 Leland Ave
11	32	Crocker Amazon Playground	799 Moscow St
11	33	Excelsior Branch Library	4400 Mission St
11	34	Ocean View Branch Library	345 Randolph St



# Voter Bill of Rights

## You have the following rights:

- 1. The right to vote if you are a registered voter.**  
You are eligible to vote if you are:
  - a U.S. citizen living in California
  - at least 18 years old
  - registered where you currently live
  - not in prison for a felony
- 2. The right to vote if you are a registered voter even if your name is not on the list.** You will vote using a provisional ballot. Your vote will be counted if elections officials determine that you are eligible to vote.
- 3. The right to vote if you are still in line when the polls close.**
- 4. The right to cast a secret ballot** without anyone bothering you or telling you how to vote.
- 5. The right to get a new ballot if you have made a mistake,** if you have not already cast your ballot. You can:  
**Ask an elections official at a polling place** for a new ballot; or  
**Exchange your vote-by-mail ballot** for a new one at an elections office or at your polling place; or  
**Vote using a provisional ballot,** if you do not have your original vote-by-mail ballot.
- 6. The right to get help casting your ballot** from anyone you choose, except from your employer or union representative.
- 7. The right to drop off your completed vote-by-mail ballot at any polling place** in California.
- 8. The right to get election materials in a language other than English** if enough people in your voting precinct speak that language.

- 9. The right to ask questions to elections officials about election procedures** and watch the election process. If the person you ask cannot answer your questions, they must send you to the right person for an answer. If you are disruptive, they can stop answering you.
- 10. The right to report any illegal or fraudulent election activity** to an elections official or the Secretary of State's office.
- On the web at *www.sos.ca.gov*
  - By phone at (800) 345-VOTE (8683)
  - By email at *elections@sos.ca.gov*

**If you believe you have been denied any of these rights**, call the Secretary of State's confidential toll-free Voter Hotline at (800) 345-VOTE (8683).

## **Elections Commission**

The Elections Commission assumes policy-making authority and oversight of all public, federal, state, district and municipal elections in the City and County of San Francisco. The Commission is charged with setting general policies for the Department of Elections and is responsible for the proper administration of the Department subject to budgetary and fiscal Charter provisions. The Elections Commission's current members are:

Lucy Bernholz, President  
*appointed by the Treasurer*

Charles Jung, Vice President  
*appointed by the Mayor*

Becca Chappell  
*appointed by the Public Defender*

Vacant  
*appointed by the City Attorney*

Christopher Jerdonek  
*appointed by the Board of Supervisors*

Viva Mogi  
*appointed by the District Attorney*

Vacant  
*appointed by the Board of Education*

## **Offices To Be Voted on this Election**

---

### **Assessor-Recorder**

---

The Assessor-Recorder decides which properties within the City and County of San Francisco are subject to property taxes and values such properties for tax purposes. The full term for this office is four years, with a current annual salary of \$222,300. This contest appears on the ballot due to a vacancy in 2021. Voters in this election will choose a candidate to serve until the start of the next term in January 2023, with this contest appearing again on the November 2022 ballot.

### **Member of the State Assembly, District 17**

---

The person serving in this office represents voters living in District 17 in the California legislature, so only voters residing in District 17 may vote in this contest. The full term for this office is two years, with a current annual salary of \$114,877. This contest appears on the ballot due to a vacancy in 2021. Voters in this election will choose a candidate to serve until the start of the next term in January 2023. If no candidate receives a majority (50%+1) of votes in this primary election, a general election between the two candidates receiving the most votes will be held in April 2022. Regardless of the outcome of this election and the potential general election, this contest will appear again on the June 2022 ballot.

# Candidate Information

---

## Candidate Statements of Qualifications

---

All timely submitted statements of qualifications begin on page 34 of this pamphlet and have been printed at the candidates' expense. Neither the Director of Elections, nor any other City agency, official, or employee, has verified the accuracy of the information contained in any of the candidate qualification statements appearing in this pamphlet. A complete list of candidates, with and without such statements, appears as part of the sample ballot on page 12 of the main version of the Voter Information Pamphlet that was mailed to you.

---

## Party Preference and Party Endorsements

---

The registered political party preference, or lack thereof, of any candidate running for a voter-nominated office, including Member of the State Assembly, District 17, will be shown beside each candidate's name on the ballot. State law also allows political parties to endorse candidates for voter-nominated offices, including Member of the State Assembly, District 17. In this election, no party endorsements were submitted to the Department of Elections.

---

## Voluntary Spending Limits

---

California Government Code (CAGC) §85600 requires the Department of Elections to publish the names of candidates for State Senate and Assembly who have voluntarily agreed to abide by the spending limits set forth in CAGC §85400. Such candidates in this election include:

Member of the State Assembly, District 17  
David Campos  
Matt Haney  
Thea Selby

# **Ballot Measures To Be Voted on in this Election**

---

## **Recall Contests as Ballot Measures**

---

The Board of Education is the seven-member body governing the San Francisco Unified School District (kindergarten through grade twelve). The full term for each member of this board is four years, with a current annual stipend of \$6,000.

Three Board of Education member recall measures appear on the ballot in this election due to the certification of three recall petitions in October 2021 (per local law, a “measure” includes a local recall contest). If more voters choose “Yes” than “No” in any of the recall contests, the Mayor will appoint a replacement(s) to serve the remainder of the four-year term(s) for the recalled Board of Education member(s). Regardless of the outcome of this election, contests for these same seats on the Board of Education (Seat 1, 2, and 3), will appear again on the November 2022 ballot.

## **Recall Statements of Reasons and Answers**

---

All three local Board of Education member recall petitions included the proponent’s Statement of Reasons for Proposed Recall. Pursuant to California Elections Code §11325, these statements have been published on pages 40–46 of this pamphlet, along with any timely submitted Answers submitted by the Board of Education member sought to be recalled.

## **Other Local Ballot Measure Information**

---

Pursuant to local law, this pamphlet includes all of the following information for each measure:

1) the identification of each measure by letter and title, 2) the City Attorney’s statement or question, 3) the Ballot Simplification Committee’s digest (summary), 4) the Controller’s financial analysis,

5) an explanation of how the measure qualified to be on the ballot, and 6) any paid arguments in favor or against each measure. *All paid arguments in favor of each measure are printed together, followed by all paid arguments in opposition. All arguments are strictly the opinions of their authors and are printed as submitted, including any typographical, spelling, or grammatical errors.*

## Marking Your Ballot

*Note: If you make a mistake while making your ballot, you can request a replacement by visiting [sfelections.org/voterportal](https://sfelections.org/voterportal), calling the Department of Elections at (415) 554-4375, or asking a poll worker or a Voting Center representative.*

---

### Steps for All Types of Contests

---

1. Before you mark any contest, review the instructions printed on the ballot.
2. To ensure your selections will be readable and countable, use a pen with dark ink or a pencil.
3. Do not write personal information, such as your name or initials, anywhere on your ballot.
4. Fill in the oval to the right of your choice for the contest or measure, as shown in picture 1.
5. To vote for a qualified write-in candidate, write the candidate's name in the space at the end of the candidate list and fill in the oval next to the space. (A list of qualified write-in candidates will be available at [sfelections.org/writein](https://sfelections.org/writein) and the City Hall Voting Center starting February 1, 2022 as well as all polling places on Election Day, February 15, 2022.)
6. If you do not want to vote on a certain contest or measure, leave it blank. Your votes for the other contests and measures will still count.

---

## Steps for the Ranked-Choice Voting Contest

---

In this election, voters will use ranked-choice voting (RCV) to elect the Assessor-Recorder.

San Francisco's Charter requires that voters be allowed to rank no fewer than three choices in any RCV contest, even if fewer than three candidates are running for an office. Only one candidate was running to serve as Assessor-Recorder when ballots for this election went to print; therefore, the name of only one candidate will appear on the left column of the RCV grid, with three rankings appearing in the top row.

To mark the RCV contest, fill in the ovals from left to right, as shown in picture 2.

- In the **first column** for your **first choice**. (This is the last step if you have only one choice.)
- In the **second column** for your **second choice**, if you have one (otherwise, leave this blank).
- In the **third column** for your **third choice**, if you have one (otherwise, leave this blank).

### Important points to remember!

- **Do not fill in more than one oval in the same row.** In other words, do not rank the same candidate multiple times, as shown in picture 3.
- **Do not fill in more than one oval in the same column.** In other words, do not give multiple candidates the same rank, as shown in picture 4.

## How Does Ranked-Choice Voting Work?

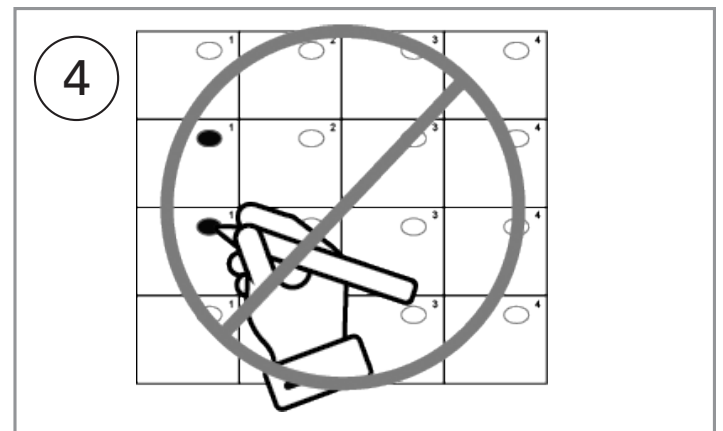
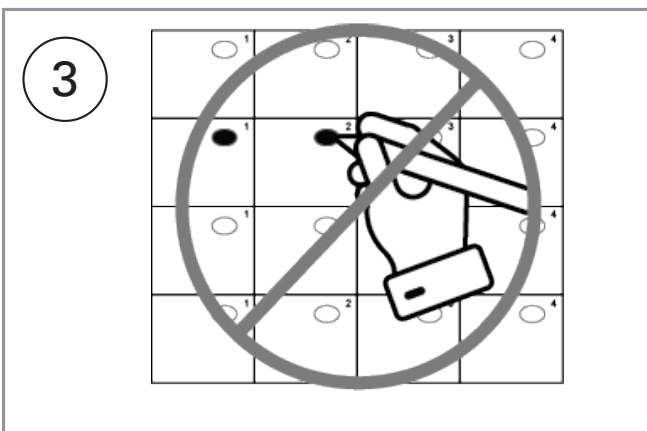
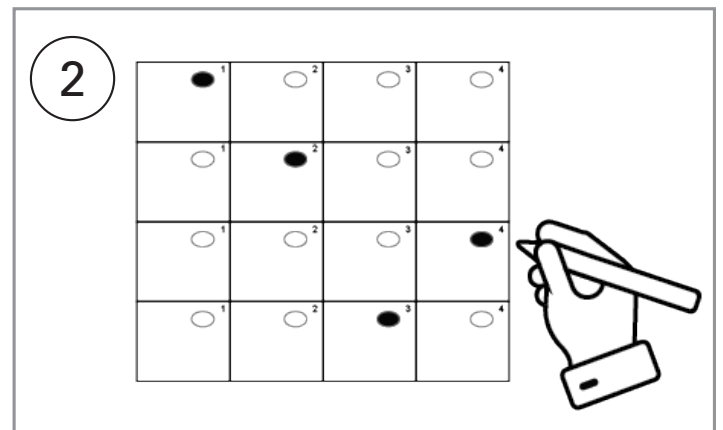
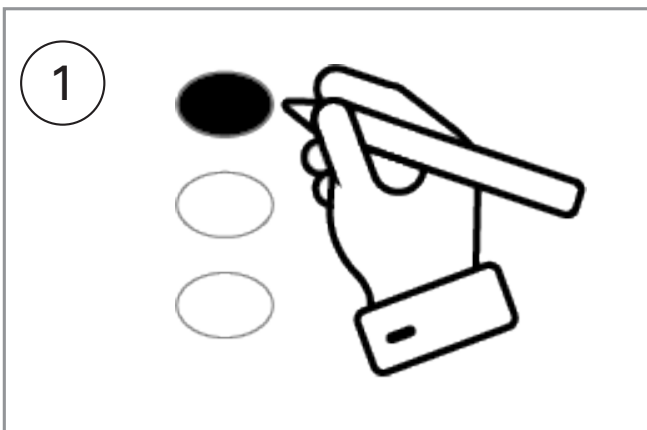
Everyone's first choice is counted.

If a candidate receives a majority of first-choice votes—more than half—that candidate wins.

If no candidate receives a majority, the candidate in last place is eliminated.

Voters who selected the candidate who was eliminated have their votes counted for their next choice.

This cycle repeats until there is a majority winner.





# Accessible Voting and Services

The Department of Elections provides various accessible programs and services to help voters cast their vote privately and independently.

---

## Accessible Election Materials

---

The Voter Information Pamphlet (VIP) is available in accessible formats:

- On *sfelections.org* in PDF, HTML, XML, and MP3 formats.
- By request, in large print as well as audio USB flash drive, compact disc (CD), or National Library Service (NLS) cartridge.

To request an accessible format VIP, call the Department of Elections at (415) 554-4375 or visit the Talking Books and Braille Center, Main Library, 100 Larkin Street, (415) 557-4253.

---

## Accessible Vote-By-Mail System

---

The Accessible Vote-by-Mail (AVBM) System, which is compatible with personal assistive technology such as head-pointers and sip-and-puff devices, allows any voter to mark a screen-readable ballot online.

To access the AVBM System, visit *sfelections.org/access*. The AVBM system will be open from January 17, 2022 through 8:00 p.m. on Election Day, February 15, 2022.

For security reasons, the AVBM system does not store or transmit votes over the internet. After marking an AVBM ballot, a voter must print and return it in person or by mail.

---

## Ballot-Marking Devices

---

All in-person voting locations have accessible ballot-marking devices. Because ballot-marking devices do not count votes, voters using them need to generate paper ballot printouts and scan the printouts using the same machine used to scan regular paper ballots.

An accessible ballot-marking device allows any voter to navigate and mark their ballot using any combination of the following accessible features:

- Touchscreen, audio, and touchscreen/audio ballot format options.
- Braille-embossed handheld keypads with audio-tactile interfaces.
- Adjustable language, text size, audio speed, volume, and color options.
- Audio instructions in English, Cantonese, Mandarin, Spanish, and Filipino.
- Touchscreen privacy screens and headphones with removable covers.
- Compatibility with sip-and-puff, paddle, head-pointer; and other devices.
- Audio or visual review of vote selections in all contests.

---

## **Personal Assistance and Ballot Delivery Options**

---

Any voter may request that up to two people (other than the voter’s employer, an agent of the voter’s employer, or an officer or agent of the union of which the voter is a member), assist the voter in marking their ballot. The voter may also ask poll workers for such assistance.

**Anyone assisting a voter with marking their ballot should not interfere with the voting process or make choices on the voter’s behalf.**

Any voter may request to vote “curbside” at any in-person voting location by calling (415) 554-4375 or by asking a companion to enter the facility to request delivery of voting materials to the voter outside.

Beginning February 9, any voter unable to travel because of illness, disability, or confinement, including any voter under COVID-19-related quarantine, may authorize another person, including a Department of Elections staff member, to pick up and deliver an emergency vote-by-mail ballot to them. To request emergency ballot delivery in the last week of the voting period, complete the form at [sfelections.org/ballotservices](https://sfelections.org/ballotservices) or call (415) 554-4375.

---

## **Other Accessible Voting Resources**

---

All in-person voting locations have accessible voting tools, including magnifiers and easy-grip pens for signing the roster and marking a ballot. All in-person voting locations also have wheelchair accessible entrances, as well as wheelchair accessible and seated voting booths, all designated by the international symbol of access.

# Multilingual Voter Services

The Department of Elections provides ballots, voting materials, and in-person assistance in Chinese, Spanish, and Filipino, in addition to English. Upon request, the Department can also provide interpreting services in many other languages.

In certain polling places, the Department offers facsimile (reference) ballots in Burmese, Japanese, Korean, Thai, and Vietnamese. Any voter can request official elections materials in any language at: [sfelections.org/language](https://sfelections.org/language) or by calling (415) 554-4375.

See the list of all San Francisco polling places, along with the types of language resources available at: [sfelections.org/voteatyourpollingplace](https://sfelections.org/voteatyourpollingplace).

---

## 我們可以協助您!

如果您想收到中文版的選舉資料，請在選務處網站[sfelections.org/language](https://sfelections.org/language)更新您的語言偏好或致電(415) 554-4367。

---

## ¡Le podemos ayudar!

Si desea recibir los materiales electorales en español además de en inglés, actualice su preferencia de idioma en [sfelections.org/language](https://sfelections.org/language) o llame al (415) 554-4366.

---

## Matutulungan namin kayo!

Kung gusto ninyo ng mga materyales sa wikang Filipino, bukod sa Ingles, i-update ang inyong kagustuhan sa wika sa [sfelections.org/language](https://sfelections.org/language) o tumawag sa (415) 554-4310.

---

## ကျွန်ုပ်တို့ သင့်ကို ကူညီနိုင်ပါသည်။

(ရွေးကောက်ပွဲဌာန) Department of Elections သည် မဲစာရွက်ပြားမိတ္တူကို (ရည်ညွှန်းချက်) မြန်မာဘာသာဖြင့် ပေးပါသည်။ မိတ္တူမဲစာရွက်ပြားများသည် မြန်မာဘာသာဖြင့် ပြန်ဆိုထားသော တရားဝင်မဲစာရွက်ပြားနှင့် တစ်ထေရာတည်း

တူသော မိတ္တူများ ဖြစ်ပါသည်။ သင်မဲပေးရန် သတ်မှတ်ချက်နှင့်ပြည့်မီသော ပြိုင်ပွဲများပါရှိသည့် မဲစာရွက်ပြားမိတ္တူတစ်စောင်ကို ကြည့်ရန် - [sfelections.org/myvotinglocation](https://sfelections.org/myvotinglocation) သို့ သွားပါ။

မဲစာရွက်ပြားမိတ္တူတစ်စောင်ကို စာတိုက်မှရရှိရေးအတွက် [sfelections.org/language](https://sfelections.org/language) တွင် တောင်းဆိုပါ။ သို့မဟုတ် (415) 554-4375 ကို ဖုန်းဆက်ပါ။

မဲပေးသည့်နေရာအချို့တွင်၊ ဤဌာနသည် မြန်မာဘာသာဖြင့် မိတ္တူမဲစာရွက်ပြားများ ပေးပါသည်။ ဘာသာစကား အရင်းအမြစ် အမျိုးအစားများနှင့်အတူ ဆန်ဖရန်စစ္စကို မဲပေးသည့် နေရာအားလုံး၏ စာရင်းကို ကြည့်ဖို့ - [sfelections.org/voteatyourpollingplace](https://sfelections.org/voteatyourpollingplace) ကို သွားပါ။

ရွေးကောက်ပွဲနေ့တွင် မဲရုံများ မနက် ၇ နာရီမှ ည ၈ နာရီအထိ ဖွင့်ပါသည်။

မဲပေးသူမည်သူမဆိုသည် (မဲပေးသူ၏ အလုပ်ရှင်၊ မဲပေးသူ၏ အလုပ်ရှင်၏ကိုယ်စားလှယ်၊ သို့မဟုတ် မဲပေးသူက အဖွဲ့ဝင်ဖြစ်သည့် သမဂ္ဂ၏ အရာရှိ သို့မဟုတ် ကိုယ်စားလှယ်မှလွဲ၍) လူနှစ်ဦးအထိကို ၎င်း၏မဲစာရွက်ပြားတွင် အမှတ်အသားပြုရာ၌ ကူညီရန် မဲပေးသူက တောင်းဆိုနိုင်ပါသည်။ မဲပေးသူသည် မဲရုံလုပ်သားများထံမှလည်း ထိုကဲ့သို့သောအကူအညီ တောင်းဆိုနိုင်ပါသည်။

---

## お手伝いいたします。

---

選挙管理事務所では、投票用紙のサンプル (参照用) の日本語版を提供しております。投票用紙のサンプルとは、日本語に翻訳された公式投票用紙の完全な複製版です。

あなたが投票権を持つ選挙の投票用紙のサンプルを見るには、[sfelections.org/myvotinglocation](https://sfelections.org/myvotinglocation) にアクセスしてください。

投票用紙のサンプルを郵便で受け取りたい場合、[sfelections.org/language](https://sfelections.org/language) にアクセスするか、または(415) 554-4375に電話して請求してください。

一部の投票所では、投票用紙のサンプルが日本語で用意されています。サンフランシスコ市内の投票所の一覧と、言語のリソースを見るには、[sfelections.org/voteatyourpollingplace](https://sfelections.org/voteatyourpollingplace) にアクセスしてください。

投票所は選挙当日の午前7時から午後8時まで開いています。

有権者は、投票用紙のマークシートに記入するために最大2人の介助者を付けることができます(有権者の雇用主、有権者の雇用主の代理人、または有権者が所属する組合の役員や代理人を除く)。また、有権者は投票所の係員に当該の支援を求めることもできます。

---

## 도와 드리겠습니다!

---

저희 선거부에서는 복제본(참조용) 투표용지를 한국어로 제공합니다. 복제본 투표용지는 정식 투표용지와 정확히 동일한 내용을 한국어로 번역한 것입니다.

본인에게 해당되는 투표용지를 복제본으로 보려면 [sfelections.org/myvotinglocation](https://sfelections.org/myvotinglocation)을 방문하시기 바랍니다.

복제본 투표용지를 우편으로 받으려면 [sfelections.org/language](https://sfelections.org/language)를 방문하거나 (415) 554-4375로 전화해 요청하시기 바랍니다.

일부 투표소에서는 한국어로 된 복제본 투표용지를 배부합니다. 샌프란시스코 투표소 전체 목록과 다국어 도움자료를 살펴보려면 [sfelections.org/voteatyourpollingplace](https://sfelections.org/voteatyourpollingplace)를 방문하시기 바랍니다.

투표소 운영시간: 선거 당일 오전 7시 ~ 오후 8시

유권자는 투표용지 표기 시에 도움을 줄 사람을 최대 2명(단, 유권자 본인의 고용주, 고용주의 대리인, 또는 유권자가 가입한 노동조합의 임원이나 대리인은 제외) 요청할 수 있습니다. 또한 투표요원에게 도움을 청하셔도 됩니다.

---

## เราช่วยคุณได้!

---

Department of Elections มีบัตรลงคะแนนฉบับสำเนา (สำหรับใช้อ้างอิง) เป็นภาษาไทยให้ บัตรลงคะแนนดังกล่าวมีเนื้อหาทุกอย่างเหมือนกับบัตรลงคะแนนฉบับทางการและได้รับการแปลเป็นภาษาไทย

หากต้องการดูบัตรลงคะแนนฉบับสำเนาที่มีการเลือกตั้งที่คุณมีสิทธิ์ลงคะแนนเสียง โปรดไปที่: [sfelections.org/myvotinglocation](https://sfelections.org/myvotinglocation)

หากต้องการขอรับบัตรลงคะแนนฉบับสำเนาทางไปรษณีย์ โปรดไปที่ [sfelections.org/language](https://sfelections.org/language) หรือโทรศัพท์ถึงหมายเลข (415) 554-4375



ในสถานที่เลือกตั้งบางแห่ง จะมีบัตรลงคะแนนฉบับสำเนาเป็นภาษาไทยให้เพื่อให้ใช้สำหรับอ้างอิง หากต้องการดูสถานที่เลือกตั้งทั้งหมดในซานฟรานซิสโก พร้อมด้วยประเภทเอกสารที่มีให้เป็นภาษาต่าง ๆ โปรดไปที่:  
[sfelections.org/voteatyourpollingplace](https://sfelections.org/voteatyourpollingplace)

สถานที่เลือกตั้งเปิดตั้งแต่เวลา 7.00 น. ถึง 20.00 น. ในวันเลือกตั้ง

ผู้ลงคะแนนเสียงสามารถขอให้บุคคลไม่เกินสองคน (ยกเว้นนายจ้างของผู้ลงคะแนนเสียง ตัวแทนของนายจ้างของผู้ลงคะแนนเสียงหรือเจ้าหน้าที่หรือตัวแทนของสหภาพที่ผู้ลงคะแนนเสียงเป็นสมาชิกอยู่) ช่วยเหลือผู้ลงคะแนนเสียงในการกาบัตรลงคะแนนได้ นอกจากนี้แล้วผู้ลงคะแนนเสียงยังอาจขอความช่วยเหลือดังกล่าวจากเจ้าหน้าที่ที่สถานที่เลือกตั้งได้ด้วย

---

## Chúng tôi có thể trợ giúp quý vị!

---

Cơ quan Bầu cử có thể cung cấp các lá phiếu mẫu (lá phiếu tham chiếu) bằng tiếng Việt. Lá phiếu mẫu là những bản sao y của lá phiếu chính thức mà được dịch qua tiếng Việt.

Để xem một lá phiếu mẫu có các mục bầu cử mà quý vị có quyền bỏ phiếu, vui lòng truy cập trang mạng: [sfelections.org/myvotinglocation](https://sfelections.org/myvotinglocation).

Để yêu cầu nhận được lá phiếu mẫu qua thư, vui lòng truy cập trang mạng [sfelections.org/language](https://sfelections.org/language) hoặc gọi số (415) 554-4375.

Tại một số địa điểm bỏ phiếu, Cơ quan có sẵn các mẫu lá phiếu bằng tiếng Việt. Để xem danh sách liệt kê tất cả các địa điểm bỏ phiếu ở San Francisco cùng với các dịch vụ hỗ trợ ngôn ngữ tại từng địa điểm, xin truy cập: [sfelections.org/voteatyourpollingplace](https://sfelections.org/voteatyourpollingplace).

Các phòng phiếu mở cửa từ 7 giờ sáng đến 8 giờ tối vào Ngày bầu cử.

Mỗi cử tri đều có quyền yêu cầu tới đa hai người đi cùng để trợ giúp trong việc điền vào lá phiếu (người đi cùng không thể là chủ thuê lao động, đại diện của chủ thuê lao động hoặc viên chức hay đại diện của công đoàn mà cử tri là thành viên). Cử tri cũng có thể yêu cầu nhân viên phòng phiếu trợ giúp điền lá phiếu.

# **Frequently Asked Questions about Registration and Voting in San Francisco Answered by the Ballot Simplification Committee**

---

## **Registration FAQs**

---

**Who is eligible to register and to vote in California?** To vote in California elections, you must be: 1) a United States citizen; 2) a resident of California; 3) at least 18 years old on Election Day; 4) not currently found mentally incompetent to vote by a court; and 5) not currently serving a state or federal prison term for conviction of a felony.

Please note that the passage of Proposition 17 in the November 2020 election amended the state Constitution to allow otherwise eligible residents who are on parole to register to vote.

Noncitizen residents of San Francisco may register and vote in the Board of Education Recall contests in the February 2022 election if they are parents, legal guardians or caregivers of children living in San Francisco and at least one child is under 19 years old on Election Day, February 15, 2022.

**What is the deadline to register to vote or to update my registration information?** The deadline to register online or by mail for the February 2022 election is January 31, 2022. After that date, you will need to register and vote with a provisional ballot in person at the City Hall Voting Center or a polling place.

**Can I register to vote in California before I turn 18?** If you are a 16- or 17-year-old who meets the other state voter registration requirements, you can pre-register to vote and your registration will become active on your 18th birthday.

**Can I register to vote in California if I just became a new citizen?** If you become a U.S. citizen after the regular registration deadline of

January 31, you can register and vote in person at the City Hall Voting Center or a polling place.

**Can I still vote in San Francisco if I have moved locally?** If you move within San Francisco, you can reregister to vote at [registertovote.ca.gov](https://registertovote.ca.gov) or update your address at [sfelections.org/voterportal](https://sfelections.org/voterportal) or at an in-person voting site.

**Can I still vote in San Francisco if I have moved within California?** If you move to a new California address outside San Francisco, you can reregister to vote at [registertovote.ca.gov](https://registertovote.ca.gov) or contact your new county elections official.

**Can I still vote in San Francisco if I have moved to another state?** If you move out of state, you can register with your local elections official. You may also want to contact the Department of Elections to cancel your registration in San Francisco.

**Can I still vote in San Francisco if I am currently living abroad?** If you are temporarily living abroad, you may be able to reregister and request a ballot by mail, fax, or email by visiting [registertovote.ca.gov](https://registertovote.ca.gov) or [fvap.gov](https://fvap.gov).

If you have questions about whether you can vote, please contact the Department of Elections at (415) 554-4375 or email at [SFVote@sfgov.org](mailto:SFVote@sfgov.org).

---

## Vote-by-Mail Ballot Delivery FAQs

---

**Will I receive my ballot in the mail?** Per state law, all voters will now receive ballots in the mail for all future elections. Any voter may choose to cast a ballot arriving in the mail or vote in person in the February 15, 2022, election.

**What if my ballot does not arrive in the mail?** You can track where your ballot is in the mailing process at [sfelections.org/voterportal](https://sfelections.org/voterportal). If it has been more than three days since your ballot was mailed, you may request a replacement vote-by-mail ballot at [sfelections.org/voterportal](https://sfelections.org/voterportal) or by calling the Department of Elections at (415) 554-4375.



**How can I get a replacement vote-by-mail ballot?** To request a replacement vote-by-mail ballot before February 9, go to [sfelections.org/voterportal](https://sfelections.org/voterportal) or call the Department of Elections at (415) 554-4375. After that date, contact the Department as soon as possible to discuss your voting options.

**Can I use the Accessible Vote-by-Mail (AVBM) system to access my ballot?** Any voter can access and mark their ballot at [sfelections.org/access](https://sfelections.org/access). AVBM ballots must be printed and returned by mail or in person.

**How can I track my vote-by-mail ballot?** You can track your vote-by-mail ballot from assembly up through delivery, verification, and counting, at [sfelections.org/voterportal](https://sfelections.org/voterportal). Or, sign up to receive ballot notifications via email, text, or voice message at [wheresmyballot.sos.ca.gov](https://wheresmyballot.sos.ca.gov). Alternatively, you may call or email the Department of Elections.

---

## **Vote-By-Mail Ballot Return FAQs**

---

**Can I return my ballot by mail on Election Day?** For your ballot to be counted, your ballot return envelope must be postmarked by Election Day, February 15. If you mail your ballot return envelope after the last mail collection time on Election Day, your ballot will be postmarked too late to be counted. Find United States Post Office box locations and pickup times at [usps.com/locator](https://usps.com/locator).

**How should I sign the ballot return envelope?** Sign your envelope with the signature you last provided on your voter registration application. If your name or signature has recently changed, please reregister at [registertovote.ca.gov](https://registertovote.ca.gov). If you do not sign your ballot return envelope or if your envelope signature does not match any signature in your voter record, the Department will attempt to contact you by mail, and you will need to cure the issue before your ballot can be counted.

**Where can I drop off my vote-by-mail ballot?** From January 18 to February 15, you can return your ballot to any official ballot drop box

or the City Hall Voting Center. On Election Day, February 15, you can return your ballot to any official ballot drop box, the City Hall Voting Center, or any polling place in the City no later than 8 p.m. To find a conveniently located ballot drop box, go to [sfelections.org/balлотdropoff](https://sfelections.org/balлотdropoff) or call (415) 554-4375.

---

## **In-Person Voting FAQs**

---

**Can I vote early in person in the February 15 election?** The City Hall Voting Center will be open at these times:

- Every weekday, January 18–February 14, from 8 a.m. to 5 p.m.;
- Last two weekends, February 5–6 and February 12–13, from 10 a.m. to 4 p.m.; and
- Election Day, February 15, from 7 a.m. to 8 p.m. (same voting hours as polling places).

**Can I vote at any polling place in San Francisco?** There will be over 300 polling places open for in-person voting and vote-by-mail ballot drop off on Election Day, February 15, from 7 a.m. to 8 p.m. You are encouraged to vote at your assigned polling place. If you vote at another polling place, your name will not be on the roster of voters and you will be asked to vote a provisional ballot.

**What kind of multilingual resources are available at in-person voting sites?** Both the City Hall Voting Center and all San Francisco polling places will offer bilingual ballots in English and either Chinese, Spanish or Filipino. In addition, certain voting sites will also offer facsimile (reference) ballots in Burmese, Japanese, Korean, Thai and Vietnamese. Finally, bilingual workers will provide multilingual assistance at voting sites in most neighborhoods.

**What kind of accessibility resources are available at in-person voting sites?** All in-person voting sites will offer curbside voting service as well as accessible voting equipment, tools, and personal assistance. Any voter may ask one or two people to assist them with marking a ballot, provided any such assistant is not the voter's employer or a representative of the voter's union and the assistant does not attempt to influence the voter.

**Can I take my Sample Ballot or my own list into the voting booth?**

Yes. Deciding your votes before you get to the polls is helpful. You may use your Sample Ballot in this pamphlet to practice marking your selection(s) before marking your official ballot.

**Do I have to vote on every contest and measure on the ballot? No.**

The votes you cast will be counted even if you have not voted on every contest and measure.

# Candidates for State Assembly, District 17

---

## DAVID CAMPOS

---

**My occupation is** Civil Rights Attorney.

**My qualifications are:**

I'm the corporate-free candidate fighting for an economy that works for everyone because we've had enough broken promises. It's time for results.

Join us and stand up to big corporations and billionaires so we can:

- Raise the minimum wage to a living wage.
- Make healthcare affordable with Medicare for All.
- Ensure the entire state does its part to cover the costs of homelessness.
- Make billionaires pay their fair share – so working families can pay less.
- Ban corporate contributions to campaigns.
- Lower utility bills and create middle-class jobs with a Green New Deal.
- Cut crime by cutting poverty and treating mental illness and substance abuse.

I came to this country as a Dreamer, crossing the border with my sister on my back. I learned English in public schools. I earned scholarships to Stanford and Harvard Law. I came out to my family and friends. As District 9 Supervisor, I won important battles to provide healthcare for all and save St Luke's Hospital. I fought for equal pay for women, built more affordable housing, passed stronger eviction protections, and won back workers' lost wages and benefits.

As a progressive leader, I fought to defeat Donald Trump, protect a woman's right to choose, and make the wealthiest corporations pay their fair share so we could house the homeless.

Our supporters include:

San Francisco classroom teachers - United Educators of San Francisco  
Frontline caregivers - National Union of Healthcare Workers  
Frontline hospitality workers - UNITE HERE! Local 2  
TWU Local 250A

The Sierra Club  
Harvey Milk LGBTQ Democratic Club  
San Francisco Latinx Democratic Club  
Rose Pak Democratic Club

Mark Leno  
Phil Ting  
Tom Ammiano  
Sophie Maxwell  
Rafael Mandelman  
Hillary Ronen  
Connie Chan  
Bevan Dufty

Join us: [www.CamposforUs.com](http://www.CamposforUs.com)

*David Campos*

---

## **MATT HANEY**

---

**My occupation is** Supervisor, City and County of San Francisco.

**My qualifications are:**

As a San Francisco Supervisor, eviction defense attorney, and educator, I've delivered progressive, practical solutions to San Francisco's toughest challenges. I championed guaranteed mental health care for all, 24-hour bathrooms, 5,000+ new housing units in my district, and oversaw record investments in housing, public safety and economic recovery as Budget Chair.

When the pandemic hit, I authored legislation to house 2,000+ people experiencing homelessness, worked shifts at a COVID shelter hotel during a staff shortage, delivered mass vaccination sites citywide,

and launched relief programs to save our most cherished small businesses.

I'm running for State Assembly because we need bold, effective leadership to confront the unaffordable cost of housing, homelessness crisis, and climate change.

Priorities:

- Build 100,000 new housing units in San Francisco over 10 years to make housing more affordable for all.
- Expand supportive housing and mental health care to dramatically reduce street homelessness.
- Confront climate change with investments in renewable energy and sustainable transit.
- Make huge corporations and CEOs who made billions during the pandemic pay their fair share.
- Fully fund California's schools and universities.
- Protect LGBTQ+ rights, civil rights, and women's rights under attack by national Republicans.
- Support community policing, stop anti-Asian hate crimes, and get guns off the streets.

Endorsed by dozens of leaders & organizations including:

- Attorney General Rob Bonta
- California Professional Firefighters
- California School Employees Association
- California Faculty Association
- California Pediatricians' Association
- SEIU California
- SEIU United Health Care Workers
- Chinese American Democratic Club
- San Francisco Doctors
- Board of Supervisors President Shamann Walton
- San Francisco Democratic Party Chair Honey Mahogany
- Asian Pacific Islander Caucus Chair Senator Richard Pan
- Progressive Caucus Chair Assemblymember Ash Kalra
- Housing Committee Chair Assemblymember Buffy Wicks

- Sheriff Paul Miyamoto
- BART Board Member Lateefah Simon
- Police Commissioner Larry Yee
- League of Pissed Off Voters (dual endorsement)

MattHaney.com

*Matt Haney*

---

## **THEA SELBY**

---

**My occupation is** Member, City College of San Francisco Board of Trustees.

**My qualifications are:**

San Francisco families deserve accountability that only a pragmatic progressive can deliver.

I've served two terms on the SF City College Board of Trustees. I erased millions in debt, balanced the budget, secured accreditation, and implemented the groundbreaking Free City program.

I was a founding member of the San Francisco Transit Riders. After a double murder on my block, I created the Lower Haight Merchants & Neighbors Association to make our neighborhood safer. We must come together to make our streets cleaner and safer for everyone.

Women are 50% of California's population, but only 30% of the Assembly. This Assembly seat has not been held by a woman in 20 years. That's a disgrace, especially with the Supreme Court poised to overturn Roe v. Wade and women still recovering from economic blows brought by the pandemic. California and San Francisco must send a strong message we will not leave women behind.

As your Assemblymember, I will combine my progressive values with my record of pragmatic accountability to achieve big things for our city and state, like affordable housing, accessible transit, safe streets and neighborhoods, and a middle class that can get ahead.

I'm proud to be endorsed by State Treasurer Fiona Ma, former



Superintendent of Public Instruction Delaine Eastin, Former CCSF Trustee and Filipino Leader Rodel Rodis, Oakland Mayor Libby Schaaf, San Francisco Municipal Transportation Agency (SFMTA) Board Chair Gwyneth Borden, and retired CCSF Head Football Coach George Rush.

I ask for your vote.

Learn more at [theaselby.org](http://theaselby.org)

*Thea Selby*

## **Candidate for Assessor-Recorder**

---

### **JOAQUÍN TORRES**

---

**My occupation is** Assessor-Recorder.

**My qualifications are:**

Assessor-Recorder Joaquín Torres brings values of hard work, a focus on people, and expanding opportunity to a department that provides billions of dollars in funding for critical services ranging from our schools, parks and playgrounds, to economic relief, sanitation, emergency services and public health programs.

The grandson of Mexican immigrants, Joaquín was inspired to pursue a career in public service by role models who exemplified a belief that good government listens closely to the people it serves and designs policies and programs that better their lives.

Joaquín leads an organization of nearly 200 committed professionals to efficiently and fairly identify and assess all taxable property in the City and County of San Francisco. Joaquín's work ensures accessible, timely, and attentive customer service for all San Franciscans who interact with the Assessor's Office.

Joaquín's commitment to San Francisco's communities reaches beyond his role as Assessor-Recorder in his volunteer efforts focused on racial equity and inclusion in the arts, community-centered urban planning and greater investment in affordable and public housing.



Joaquín's hard work and commitment to the people of San Francisco have earned him the support of:

Speaker Nancy Pelosi

Senator Dianne Feinstein

Governor Gavin Newsom

State Treasurer Fiona Ma

Senator Scott Wiener

Assemblyman Phil Ting

Mayor London Breed

Supervisor Shamann Walton

[www.JoaquinTorresSF.com](http://www.JoaquinTorresSF.com)

*Joaquín Torres*

Statements are volunteered by the candidates and have not been checked for accuracy by any official agency. Statements are printed as submitted. Spelling and grammatical errors have not been corrected.

# Proponents' Statement of Reasons for the Recall and the Board of Education Member's Answer – Alison Collins

---

## Proponents' Statement of Reasons

---

**TO THE HONORABLE ALISON COLLINS:** Pursuant to Section 11020 of the California Elections Code and Section 14.103 of the San Francisco Charter, the undersigned registered qualified voters of the City and County of San Francisco, California, hereby give notice that we are the proponents of a recall petition and that we intend to seek your recall and removal from the office of Member of the San Francisco Unified School District Board of Education, and to request that the Mayor fill the resulting vacancy and nominate the successor to this office.

**The grounds for the recall are as follows:** She has been a negligent, ineffective Board of Education Member, who failed to do her job, which is to prioritize our children's education; has mismanaged the District's finances, including not following the Brown Act and other laws, which invites lawsuits that are a waste of money and resources; has failed to prioritize or develop plans for school re-opening; has not provided adequate opportunities for parents and community members to share their concerns on issues including school renaming, school re-opening, and Lowell admissions changes; has failed students with special needs; and has made it more difficult for students from under-privileged backgrounds to obtain a good education, further widening the inequality that exists in our society.

The names of the proponents are as follows: *Autumn Looijen, Lily Ho, Maria L. Delao, Stephen Lemmer, Laurance Lee, Kristi Kennedy, Paulina Fayer, James Riseman, Lora Libby, Suzanne Kirkham, Sandra Ospina, Laura Hossain, Michael J. Bertinetti, Sam Singer, Angela Rosoff, Kellee Santiago, Gregory Arenius, Jessica Gaynor, Jeffrey M. Gaynor, Farshad Alamsamimi, Ronan Lyall, Michelle Hughes, Nadim Hossain, Tom House, Justin Hughes, Cristina Rivera, Jessica Wallack-Cohen, Stephen Lewis, Michael Stein, and Jon Chu.*

DATED: March 9, 2021

---

## Alison Collins's Answer to the Statement

---

No answer was filed.

# Proponents' Statement of Reasons for the Recall and the Board of Education Member's Answer – Gabriela López

---

## Proponents' Statement of Reasons

---

**TO THE HONORABLE GABRIELA LÓPEZ:** Pursuant to Section 11020 of the California Elections Code and Section 14.103 of the San Francisco Charter, the undersigned registered qualified voters of the City and County of San Francisco, California, hereby give notice that we are the proponents of a recall petition and that we intend to seek your recall and removal from the office of Member of the San Francisco Unified School District Board of Education, and to request that the Mayor fill the resulting vacancy and nominate the successor to this office.

**The grounds for the recall are as follows:** She has been a negligent, ineffective Board of Education Member, who failed to do her job, which is to prioritize our children's education; has mismanaged the District's finances, including not following the Brown Act and other laws, which invites lawsuits that are a waste of money and resources; has failed to prioritize or develop plans for school re-opening; has not provided adequate opportunities for parents and community members to share their concerns on issues including school renaming, school re-opening, and Lowell admissions changes; has failed students with special needs; and has made it more difficult for students from under-privileged backgrounds to obtain a good education, further widening the inequality that exists in our society.

The names of the proponents are as follows: *Autumn Looijen, Lily Ho, Maria L. Delao, Stephen Lemmer, Laurance Lee, Kristi Kennedy, Paulina Fayer, James Riseman, Lora Libby, Suzanne Kirkham, Sandra Ospina, Laura Hossain, Michael J. Bertinetti, Sam Singer, Angela*

*Rosoff, Kellee Santiago, Gregory Arenius, Jessica Gaynor, Jeffrey M. Gaynor, Farshad Alamsamimi, Ronan Lyall, Michelle Hughes, Nadim Hossain, Tom House, Justin Hughes, Cristina Rivera, Jessica Wallack-Cohen, Stephen Lewis, Michael Stein, and Jon Chu.*

DATED: March 9, 2021

---

## **Gabriela López's Answer to the Statement**

---

No answer was filed.

## **The Board of Education Member's Statement – Gabriela López**

As a San Francisco public school teacher, my time on the Board of Education has been dedicated to serving students, families and educators. I have worked with my colleagues and community members to achieve arts equity, structural support for latinx students, and language accessibility within my first year.

During the pandemic, I was on the ground working with monolingual families, providing support and workshops around technology use. I organized and offered school supplies twice weekly, coordinating with organizations across the city to get necessary materials in homes. I also helped create a standing food distribution site on Treasure Island immediately after school closures.

This year, we were able to reach an agreement in partnership with our educators within the first month of my presidency. I ensured our work was fully focused on our priorities which included reopening schools safely and balancing our budget. I was also able to encourage our Superintendent to serve our school district an additional year to ensure stability.

All we are here to do is make things better for San Francisco's children. It's why I went into teaching and will continue to bring those same values to the Board of Education.

Pursuant to California Elections Code §11327, the above statement was submitted by Gabriela López to the San Francisco Department of Elections for the inclusion in the Voter Information Pamphlet.

## **Proponents' Statement of Reasons for the Recall and the Board of Education Member's Answer – Faauuga Moliga**

### **Proponents' Statement of Reasons**

**TO THE HONORABLE FAAUUGA MOLIGA:** Pursuant to Section 11020 of the California Elections Code and Section 14.103 of the San Francisco Charter, the undersigned registered qualified voters of the City and County of San Francisco, California, hereby give notice that we are the proponents of a recall petition and that we intend to seek your recall and removal from the office of Member of the San Francisco Unified School District Board of Education, and to request that the Mayor fill the resulting vacancy and nominate the successor to this office.

**The grounds for the recall are as follows:** He has been a negligent, ineffective Board of Education Member, who failed to do his job, which is to prioritize our children's education; has mismanaged the District's finances, including not following the Brown Act and other laws, which invites lawsuits that are a waste of money and resources; has failed to prioritize or develop plans for school re-opening; has not provided adequate opportunities for parents and community members to share their concerns on issues including school renaming, school re-opening, and Lowell admissions changes; has failed students with special needs; and has made it more difficult for students from under-privileged backgrounds to obtain a good education, further widening the inequality that exists in our society.

The names of the proponents are as follows: *Autumn Looijen, Lily Ho, Maria L. Delao, Stephen Lemmer, Laurance Lee, Kristi Kennedy, Paulina Fayer, James Riseman, Lora Libby, Suzanne Kirkham, Sandra*

*Ospina, Laura Hossain, Michael J. Bertinetti, Sam Singer, Angela Rosoff, Kellee Santiago, Gregory Arenius, Jessica Gaynor, Jeffrey M. Gaynor, Farshad Alamsamimi, Ronan Lyall, Michelle Hughes, Nadim Hossain, Tom House, Justin Hughes, Cristina Rivera, Jessica Wallack-Cohen, Stephen Lewis, Michael Stein, and Jon Chu.*

DATED: March 9, 2021

---

## **Faauga Moliga's Answer to the Statement**

---

I am the first Pacific Islander ever elected to office in San Francisco, giving my marginalized community a voice in local government for the first time.

During my two years on the Board, I authored substantive legislation that will increase teacher retention through the construction of teacher housing.

I also authored legislation regarding transportation and Medi-Cal services that will save San Francisco Unified School District over 20 million dollars and improve services to students and families tremendously.

COVID-19 has created a volatile situation, exposing aging structures as unhealthy work environments, and causing fiscal difficulty. Through painstaking planning we addressed the facilities challenges, and with the development of vaccines and federal stimulus dollars SFUSD will emerge from this pandemic on solid footing.

The Board of Education adheres to all legal requirements regarding giving the public notice and opportunity to speak on all matters before the Board. While I have been a Commissioner, the Board has not deviated from these requirements.

I am a proud graduate of Balboa High School who is focused on doing substantive work to improve our public schools. I respectfully ask you to reject this recall.

*Faauga Moliga*

Commissioner of San Francisco School Board

FILED: March 15, 2021.

# **The Board of Education Member's Statement – Faauga Moliga**

This attempt to recall me is unjustified. Arguments made by the proponents are false. I was clear throughout 2020 and 2021 that I wanted schools open as soon as safely possible for students and staff because of mental health concerns. I was also very supportive of the community hubs initiative, playing a crucial role in getting a hub opened in Visitation Valley.

My focus before and during this pandemic has been on increasing enrollment, fiscal responsibility, and improving learning and services for students, families, and staff. Specifically, I have authored resolutions to:

- Increase enrollment, by opening an enrollment center in southeast San Francisco
- Upgrade transportation and mental health services that will save \$30 million over the next five years
- Increase learning opportunities for Pacific Islander students, including the first Samoan language immersion program
- Build housing to retain teachers.

I believe I am an effective legislator and am honored to be the first Pacific Islander ever elected to office in San Francisco.

Vote No Recall of Faauga Moliga

Among those opposed

San Francisco Democratic Party

San Francisco Teachers Union

Mark Leno

David Campos

Patsy Tito



*Faauga Moliga*

Pursuant to California Elections Code §11327, the above statement was submitted by Faauga Moliga to San Francisco Department of Elections for the inclusion in the Voter Information Pamphlet.

# Proposition A – Recall Measure Regarding Alison Collins

Shall Alison Collins be recalled (removed) from the School Board for the San Francisco Unified School District?

YES

NO

---

**Digest** by the Ballot Simplification Committee

---

**The Way It Is Now:** Alison Collins is a member of the Board of Education (School Board) that governs the San Francisco Unified School District (School District). The School District operates the San Francisco public school system through 12th grade.

On November 6, 2018, Alison Collins was elected to the School Board to a four-year term ending on January 8, 2023.

On November 8, 2022, the City will hold its regularly scheduled election for School Board members, and the candidates elected at that time would serve for a full four-year term beginning on January 8, 2023.

**The Proposal:** Proposition A is a recall measure that would remove Alison Collins from the School Board 10 days after the Board of Supervisors declares the results of this election. The Mayor would then appoint a replacement to serve on the School Board for the rest of Alison Collins' term.

The replacement appointed by the Mayor may run as a candidate for the School Board in the November 2022 election.

**A "YES" Vote Means:** If you vote "yes," you want to remove Alison Collins from the School Board for the San Francisco Unified School District.

**A "NO" Vote Means:** If you vote "no," you want to keep Alison Collins on the School Board for the San Francisco Unified School District.

---

## **Controller's Statement on "A"**

---

City Controller Ben Rosenfield has issued the following statement on the fiscal impact of Proposition A:

Should the proposed School Board recall measure be approved by the voters, in my opinion, it would have a minimal impact on the cost of government.

As is always the case in our ballot analysis, this does not include the cost of administering the election, which is unchanged regardless of the outcome of the measure.

---

## **How "A" Got on the Ballot**

---

On September 7, 2021, the Department of Elections (Department) received a petition to recall Board of Education member Alison Collins. After review, the Department determined that the petition contained a sufficient number of valid signatures to require a special municipal (recall) election be held.

The total number of signatures on the petition was 75,304. The Department reviewed 3,765 randomly selected signatures (5% of the total submitted) which indicated the petition contained a number of valid signatures greater than the minimum 51,325 signatures required for the petition to be deemed successful.

**This measure requires 50%+1 affirmative votes to pass.**

**The above statement is an impartial analysis of this measure. Arguments for and against this measure immediately follow.**

---

## **Paid Argument IN FAVOR of Proposition A**

---

**This campaign is personal.**

**We saw the fallout in our own family when schools were closed:**

Siva's high school honors student failing classes and barely leaving his bed; Autumn's kids happily learning in person elsewhere. **It was unfair.**

So when emails, calls, and protests went unheard, **we started this recall to give families hope.**

We knew nothing about politics, so we stood up and asked for help. And help came from all over the city.

Parents and teachers joined forces to collect signatures. 80,000 people signed to recall the school board -- the first citywide recall in decades.

**Our school board is incompetent, and you should recall them.**

Renaming instead of reopening. Ignoring a massive budget deficit. Collins's anti-Asian tweets and \$87 million lawsuit against our schools.

**But this recall is about more than that. It's about giving our most disadvantaged kids a brighter future.**

Siva grew up under a government **more fixated on changing the street signs than filling the potholes -- or having working schools.**

Where every family who could afford to (and many who could not) put their kids in private school.

Siva's family could not afford it. But they sent him anyway, even when it meant skipping food for days. That education is why he's here today, instead of breaking down ships in the sweltering sun like so many of his friends.

**We are failing San Francisco's most disadvantaged children in the same way:** changing school names instead of making sure the kids inside can read. Ignoring the learning loss that will steal their dreams.

We're standing up for them, fighting for every kid to get a great education and build a successful life.

**We need you. Will you help us?**

**Vote YES to recall the school board.**

[www.recallsfschoolboard.org](http://www.recallsfschoolboard.org)

*Autumn Looijen & Siva Raj  
Recall Campaign Co-leads*

The true source(s) of funds for the printing fee of this argument:  
Recall School Board Members López, Collins & Moliga.

The three largest contributors to the true source recipient committee:  
1. Arthur Rock, 2. David Sacks, 3. Garry Tan.

---

## **Paid Argument IN FAVOR of Proposition A**

---

Vote **YES** on the non-partisan, parent-led recall of Alison Collins! Due to her negligent "leadership," SFUSD is facing a \$125 million budget shortfall, was the only major metropolitan district in America to not return middle and high school students to classrooms last year, and has one of the worst racial achievement gaps in California. Collins' response to these challenges has been to spend hundreds of thousands of dollars renaming schools, sue the district for \$87 million after she was censured for posting anti-Asian tweets, and attack parents. Enough is enough. Recall Collins to put students first.

*San Francisco Republican Party  
John Dennis, Chairman*

The true source(s) of funds for the printing fee of this argument: San Francisco Republican Party County Central Committee (State Account).

---

## **Paid Argument IN FAVOR of Proposition A**

---

I support the recall of all three San Francisco School Board members because they have failed at their jobs and failed our students.

Events of the last year and a half of this global pandemic have put our public school system in an incredibly challenging position, and right now we are at a crossroads.

Our kids must come first. But our School Board's priorities have often been severely misplaced, undermining the education and mental health of our students.

This grassroots recall effort is led by parents whose kids have fallen far behind in their education, are breaking down from the mental health challenges of a pandemic, exacerbated by chaos in our public school system. These three school board members didn't listen to their voices, prioritize their kids in the classroom or try to solve the immense problems facing the District.

It's essential that we have leadership that will tackle the challenges of hiring a new Superintendent who will lead the District through one of the most pivotal times in its history, help move the District out of its current dire fiscal situation and back onto solid financial footing, and focus on helping our students succeed after spending more than a year out of the classroom.

It's time for new school board members who put kids first.

*Mayor London Breed*

The true source(s) of funds for the printing fee of this argument: Concerned Parents Supporting the Recall of Collins, Lopez, and Moliga.

The three largest contributors to the true source recipient committee:  
1. Brian Singerman, 2. Terence Abad, 3. Ann Hsu.

---

## **Paid Argument IN FAVOR of Proposition A**

---

I support the recall of all three Board of Education Members, Collins, Lopez and Moliga, because they have failed in their responsibilities as members of the Board and have failed our students and families.

These three Board of Education members have all too often focused on politics instead of students.

While they should have been singularly focused on safely reopening our schools, they voted against hiring a consultant to help with that process - which the Superintendent described as a "body blow" to reopening efforts - and spent time discussing renaming our schools rather than re-opening them.

They've allowed the school district's fiscal standing to deteriorate so severely that the state Superintendent of Public Instruction intervened to stop the school district from becoming financially insolvent. The district needs strong and responsible leadership to right the ship.

Families are pulling their children from our schools, and enrollment is at its lowest level in decades. We need leadership that prioritizes and uplifts all of our students and that is fully focused on their well-being over personal political priorities.

*Senator Scott Wiener*

The true source(s) of funds for the printing fee of this argument: Concerned Parents Supporting the Recall of Collins, Lopez, and Moliga.

The three largest contributors to the true source recipient committee: 1. Brian Singerman, 2. Terence Abad, 3. Ann Hsu.

---

## **Paid Argument IN FAVOR of Proposition A**

---

As parents, students, teachers, and graduates of Galileo Academy of Science & Technology, we join our esteemed graduate Mayor London



Breed in support of the recall of Commissioners Collins, Moliga and Lopez.

Our community suffered greatly during COVID, a situation made worse by the School Board not listening to us or putting student needs and education first. By their actions on certain matters and inaction on others, they have shown that their priorities are not aligned with ours and that they are unwilling and incapable of fixing the budget problems of the entire school district.

Their continued presence makes it nearly impossible to attract the best superintendent to San Francisco. Therefore, they should be recalled on February 15th.

*Ann Hsu*

*Barbara Hanscome*

*Bonnie McFarland*

*Chanda Seymour*

*Curtis Chan*

*David McGinn*

*Dung Ky Tran*

*Heike Hiss*

*Jenny Qiao*

*Joanne Bedwell*

*Lyla Patel*

*Matthew Mumper*

*Mindy Ng*

*Serena Chan*

*Summer Himell*

*Tina Fan*

*Valerie Azinheira*

*Wendy Hanrahan*

*Xiaoqing He*

The true source(s) of funds for the printing fee of this argument:  
Recall School Board Members Lopez, Collins and Moliga.

The three largest contributors to the true source recipient committee:  
1. David Sacks, 2. Arthur Rock, 3. Garry Tan.

---

## **Paid Argument IN FAVOR of Proposition A**

---

This Board of Education has failed so completely at its job that we now face a special election to recall several of its members.

Families for San Francisco considers five principles in evaluating each removal:

- 1 - Performance: failure to perform the duties of the office to a minimum standard.
- 2 - Process: undemocratic processes while in office; blatant disregard of rules and procedures.
- 3 - Power: abuse of power and position to harass or diminish the voice of constituents.
- 4 - Interest: placing personal interest over the interests of the public and/or the institution that is overseen.
- 5- Conduct: pattern of conduct that disrupts the proper functioning of the position, office, or agency.

Alison Collins has failed to perform to the minimum standards for a Board of Education commissioner. Collins was a champion for the school renaming project instead of fighting to reopen them during the pandemic. She has abused her office to harass and diminish constituents on multiple occasions. She demonstrated extreme bias against the AAPI community and failed to apologize. When multiple political figures called on her to resign, she responded by suing the school district and her colleagues.

Families for San Francisco recommends a vote to recall Commissioner Alison Collins.

*Patrick Wolff - Executive Director  
Families for San Francisco*

familiesforsanfrancisco.com

The true source(s) of funds for the printing fee of this argument:  
Families for San Francisco.

---

## **Paid Argument IN FAVOR of Proposition A**

---

Educators in support of recalling Lopez, Collins, & Moliga

As career educators, proud Democrats, and San Francisco residents, we fully support the recall of SFUSD Board of Education Commissioners Lopez, Collins, and Moliga.

They have disregarded stakeholder input from parents and community members, and publicly berated SFUSD staff and parents. Their “hands off” approach to the management of facilities bond monies have left schools in unsafe disarray, and now shamelessly want to take the \$100m approved by voters for the Arts Center at 135 Van Ness to pay for their mistakes despite the years of SFUSD money already spent for the Arts Center and detailed planning. They reshuffled Public Education Enrichment Fund spending without stakeholder input, despite those funds being approved by San Francisco voters for Arts, Music, Sports, and Libraries.

Many of our schools should be renamed. Any racism or exclusion needs to be addressed, whether at Lowell High School or any school in our city. The Board has bungled these plans, using the pandemic to shut out community input and violating the adequate public notice rules of the Brown Act. Prioritizing this during the pandemic left all students, especially our most marginalized students, with substantial learning loss. With a budget crisis looming, the Board has continued to fund initiatives based on their own political agenda and do not benefit students and schools.

The recall does not call for permanent mayoral control of the Board. We must vote to Recall Lopez, Collins, and Moliga, before further damage is done to our schools and the services for our students and to address the declining enrollment.

*William Hack, SFUSD Teacher, Principal, and Supervisor, retired.*

*Marcia Parrott, Teacher, Principal, retired*

*Nancy Yan Ng, School Social Worker, retired*

*Marigrace Cohen, Administrator, retired*

*Linda Festa Plack, Teacher, retired, Former Vice President UESF*

*Jean Ramirez, retired Educator*

*Pam Wong Kline, Teacher, Supervisor, retired*

*Terry Kline, Teacher, retired*

*Gilda Sullivan, Teacher, retired*

*Susan Stauter, SFUSD Artistic Director, retired*

The true source(s) of funds for the printing fee of this argument:  
Recall School Board Members Lopez, Collins & Moliga.

The three largest contributors to the true source recipient committee:  
1. David Sacks, 2. Arthur Rock, 3. Garry Tan.

---

## **Paid Argument IN FAVOR of Proposition A**

---

### **DON'T DESTROY THE MURALS. RECALL THE SCHOOL BOARD.**

Commissioners Alison Collins, Faauga Moliga, and Gabriela Lopez voted to paint over George Washington High School's murals because they depict an unvarnished history of America's founding.

These murals honestly present our first President and his times, highlighting the American Revolution and creation of the Constitution, and Washington's commitment to education. They also show African American enslavement at Mount Vernon and the disastrous consequences of western expansion for Native Americans. The muralist, a colleague of Diego Rivera, was persecuted for his political views.

Poet Alice Walker, whose daughter attended George Washington High, commented: "it is never a good idea to destroy art; it is better to explain it. That is what education helps us to do; the murals depict George Washington in a truer light than most other works and histories."

Dewey Crumpler, creator of the "Multi-Ethnic Heritage" mural at George Washington, warned, "If you whitewash that mural, it will only bleed in history more powerfully than it bleeds right now."

As educators, artists, historians and citizens who oppose censorship, we want these murals, as well as those at Mission High School, Roosevelt Middle School, Aptos Middle School, and Harvey Milk Civil Rights Academy, to be used for their intended purpose – to illustrate history.

President Biden stated “Great nations don’t ignore their most painful moments...they embrace them...And in remembering those moments, we begin to heal and grow stronger.”

When artworks depict uncomfortable but historically accurate images, they stimulate discussions about our past and energize students.

Don’t “cancel” the George Washington High murals. Recall Commissioners Alison Collins, Faauuga Moliga and Gabriela Lopez.

*Matt Gonzalez, Former President Board of Supervisors\**

*John Burton, Former Chair California Democratic Party\**

*Robert Cherny*

*Rebecca Cherny*

*Robert Flynn Johnson*

*Jeff Brown, Former Public Defender\**

*Larry Griffin*

*John Rothman*

*Paul Arnautoff*

*Annette Melville*

*Marie Jose Durquet, Teacher*

*William Lee, Retired Chief Administrative Officer\**

*Dr. James Davis*

*Dr. Thomas Raffin*

*Carolyn Lee*

*David Takashima*

*Larry Simi*

*Peter G. Hanson*

\*For identification purposes only; author is signing as an individual and not on behalf of an organization.

The true source(s) of funds for the printing fee of this argument:  
Recall School Board Members Lopez, Collins, Moliga.

The three largest contributors to the true source recipient committee:  
1. David Sacks, 2. Arthur Rock, 3. Garry Tan.

---

## **Paid Argument IN FAVOR of Proposition A**

---

We are parents, teachers and alumni of Lowell High School. We support the recall of all three members of the Board of Education, because they have failed the families of San Francisco and particularly of our school.

We agree with others who have pointed out the many ways that these elected officials have not done their jobs, not focused on dealing with the pandemic and so mismanaged finances that the state might take over the district. But there are other issues that affect our school in particular.

People across the district and even at Lowell disagree about whether there should be competitive or lottery admissions. But almost everyone agrees that before making such a fundamental change to a San Francisco institution, the board needed to learn as much as possible about the issue, look at studies of other schools and cities across the country and world and listen to people throughout the district and at our school who will be most affected by such a change.

### ***That didn't happen.***

Instead, the School Board made a rushed decision in minimal time, did no research, allowed very little public input and made no effort at all to reach out to the school community. That is not the way important decisions should be made. Those elected to run large public institutions should know better. San Francisco deserves better.

Please vote to recall all three members of the Board of Education.

*Lowell High School\* faculty: Brian Danforth, Kathy Liu, Jennifer Moffitt, Eller Reller and John (Monty) Worth  
Kate Lazarus, President, Lowell Alumni Association\*  
Former Presidents, Lowell Alumni Association\*: Roberta Bleiweiss, Wendy Drefke Shinbori, Lisa Clay and John Trasviña  
Former Presidents, Lowell PTSA\*: Kwan Wang and Missy Sue Mastel  
Jack Anderson, alumnus and retired Lowell High School\* faculty  
Terence Abad, alumnus*

\*For identification purposes only; author is signing as an individual and not on behalf of an organization.

The true source(s) of funds for the printing fee of this argument: Terence Abad, Lisa Clay, Kate Lazarus, Missy Sue Mastel, Wendy Drefke Shinbori, John Trasviña and John (Monty) Worth.

---

## **Paid Argument IN FAVOR of Proposition A**

---

Three members (Collins, Lopez, Moliga) of the SF Board of Education have fueled the current crisis in SFUSD. These members have thwarted plans to open school safely, have mismanaged the budget, and have ignored community voices in developing educational policy. Instead, they have energized conflicts, have indulged in renaming schools, and have damaged academic excellence with a lottery admission at Lowell.

Education will continue to suffer if these commissioners continue to serve and make more poor, uninformed decisions. SFBOE desperately needs new leadership now.

Please help our children!

Vote YES to recall all 3 commissioners and save public education.

*Kit Lam, SFUSD parent*

The true source(s) of funds for the printing fee of this argument: Kit Lam.



---

## **Paid Argument IN FAVOR of Proposition A**

---

Taxpayers deserve better! Recall School Board Members Collins, Moliga and Lopez!

San Francisco's public schools are a disgrace to pupils and the taxpayers who underwrite expenditures.

Enrollment is about 49,500 students, less than half the 1970 enrollment when San Francisco's population was almost 100,000 less than now.

School Board spending has created an enormous deficit. Over one year ago, the state Department of Education ordered the District to prepare a financial recovery plan from an expected deficit over \$100,000,000 in 2022. Only now, with the State ready to assume decision-making over the operation and budget of our schools, is the School Board preparing a plan.

The Board hired several expensive local and out of town law firms to defend itself against three losing lawsuits for violating the open meeting law. These Board members put politics above students when they voted unlawfully to rename 44 schools, cover over historic murals at George Washington High School without obeying the California Environmental Quality Act, and suffered an attorney fee award of \$145,000 while dumbing down admission requirements at Lowell High School. Lowell, a unique, nationally recognized high school with admission based on grades, tests, and essays, has been a multi-year obsession of these unqualified Board members to abandon merit and adopt lottery admissions.

Without merit, Commissioner Collins sued the District and board members for \$87,000,000 costing the District another \$120,000 in legal costs. Instead of seeking reimbursement from Collins, Commissioner Moliga and the Board opted to pay the costs -- effectively leaving less money for classrooms and students. The Board continues to assign pupils to schools outside their own neighborhood schools under a "lottery" system, which with busing, costs taxpayers millions.

For the sake of students and taxpayers, vote to recall Commissioners Collins, Moliga, and Lopez.

*San Francisco Taxpayers Association*  
*Quentin L. Kopp, President*

The true source(s) of funds for the printing fee of this argument: San Francisco Taxpayers Association.

---

## **Paid Argument IN FAVOR of Proposition A**

---

We are Chinese Americans supporting the recall of Commissioner Collins.

Join us in voting YES on Proposition A.

The Chinese American community has no confidence in Commissioner Alison Collins, in her ability to effectively serve our school district.

Chinese Americans, and a diverse group of civic leaders have called for the resignation of Commissioner Collins because her past tweets exacerbated the fear and pain the Asian American community continues to endure after decades of discrimination and exclusion. This is especially true in a time of rampant AAPI Hate brought by COVID-19.

Commissioner Collins' record is dismal when looking at what she has done to improve K-8 education to better prepare all students for high school. "When the Superintendent sought Board approval for a safety coordinator to reopen schools post-COVID, she voted no." She failed to focus on safe school reopening. She and others ended the academic admissions policy at Lowell without listening to students, parents, Alumni, and Community. She failed to include us in the decision making process. She made us feel like we didn't exist, that we don't count. In the background, we hear the same sentiment many of our ancestors heard in the 1880s, "Too many Chinese (Asians)!"

We firmly believe that Asians Belong.

**Please stand with us by voting Yes on Proposition A to recall Commissioner Collins.**

*Bayard Peter Fong, Chinese American Democratic Club (CADC) President\**

*Eddie Chin, Former San Francisco School Board Commissioner*

*Linda Quan, Retired Accountant*

*Victor Seeto, Lowell HS Graduate*

*Sam Kwong, Architect*

*Calvin Louie, CPA*

\*For identification purposes only; author is signing as an individual and not on behalf of an organization.

The true source(s) of funds for the printing fee of this argument:  
Bayard Peter Fong.

---

---

***End of Paid Arguments IN FAVOR of Proposition A***

---

**Paid Argument AGAINST Proposition A**

**JOIN SFUSD PARENTS & TEACHERS IN VOTING NO ON THE RECALL OF ALISON COLLINS**

Alison Collins has worked to increase access to the Arts for all students, supported the wellness and achievement of African-American, Latinx, Native American and Asian/Pacific Islander youth. She advocated for wellness checks to help families get resources such as rent relief, anti-eviction services, mental health and food services.

Over the past 2 years she and the Board of Education have delivered:

- A crisis distance learning program for all 50,000+ students
- 1.2 million meals to families in need
- Thousands of laptops, WiFi hotspots, and learning kits to students
- Safely returned to in-person instruction in spring 2020 and fall 2021 with robust contact tracing and safety protocols which prevented out-

breaks and costly school shutdowns.

This recall is a political strategy funded by a few wealthy donors to benefit only a few politically while destabilizing district leadership and disrupting community efforts to improve our schools.

**If the recall passes, you don't get a vote in who represents you.** The mayor will install political appointees. Our schools, students and families deserve leadership that represents them, not political insiders. Your vote should count. That is democracy.

Together we can demand every San Francisco child has a quality education and fight together to give all of our schools the resources they need.

**VOTE NO ON THE RECALL OF ALISON COLLINS and NO ON ALL SCHOOL BOARD RECALLS**

*NoSchoolBoardRecall.org*

The true source(s) of funds for the printing fee of this argument: No on Recalls of School Board Commissioners Lopez, Collins and Moliga.

The three largest contributors to the true source recipient committee: 1. Samantha Murphy, 2. Martin MacKerel, 3. Darcie Bell.

---

## **Paid Argument AGAINST Proposition A**

---

The San Francisco Berniecrats and the San Francisco Latinx Democratic Club unequivocally oppose the Board of Education recalls against Commissioner Alison Collins.

The SF Berniecrats and the SF Latinx Democratic Club oppose undemocratic and frivolous recalls that cost the school district and voters money unnecessarily, especially when the proponents of the recall are funded with VC money. Elections matter, and the electoral process has been abused by millionaires paying \$1.2 million to gather 50k signatures, allowing the affluent minority to overrule the will of

the voters. There is an election in November, the voters have the right to decide then without the influence of appointed representatives having an unfair advantage. Let the voters decide!

*San Francisco Berniecrats*

*San Francisco Latinx Democratic Club*

The true source(s) of funds for the printing fee of this argument: San Francisco Berniecrats.

The three largest contributors to the true source recipient committee:  
1. Brandee Marckmann, 2. Brett Wilkins, 3. Brandon Harami.

---

## **Paid Argument AGAINST Proposition A**

---

Join the educators of San Francisco in voting NO on the recall of School Board Commissioner Alison Collins.

Because we care for our students and love our communities, UESF stands against the BOE recalls. With everything we are facing in education this year, our students need resources, not recalls. If Collins is recalled, voters have no say in her replacement. The mayoral appointee could be a proponent of privatization and/or charter schools which do not serve all students like public schools do. An independent AND elected school board serves the interests of students and educators in defending and strengthening public education.

Recall proponents claim a grassroots effort but they are backed by hundreds of thousands of dollars from conservatives and Trump supporters like David Sacks and Arthur Rock. Without the funding from these sources, they would not have been successful in collecting signatures to trigger this recall election.

Join teachers, workers, parents, city politicians, labor organizations, community groups and many others in VOTING NO on the recall of Alison Collins.

*United Educators of San Francisco*

The true source(s) of funds for the printing fee of this argument: UESF Candidates PAC.

---

## **Paid Argument AGAINST Proposition A**

---

### **Democrats, VOTE NO on the recall**

Follow the money. Recalls are a Republican strategy to overturn fair democratic elections, and they are coming for our schools. 200+ school board officials across the nation are being targeted as part of a dangerous movement. Republicans know they cannot win in normal elections, but fewer San Franciscans vote in recalls and that gives them a chance.

Recalls are a waste of money especially when the regular election is just months away! It's simple: if we don't like the actions of our representatives, we vote them out. San Franciscans disagree on a lot of things, but we agree on maintaining an open democratic process.

### **Focus on Facts**

- 100% of schools are opened
- 0% COVID-related SFUSD student and teacher deaths
- 96% vaccinated SFUSD staff.

We do not always agree with the School Board, but we believe in elections not recalls.

### **VOTE NO RECALL**

*Winnie Porter*

The true source(s) of funds for the printing fee of this argument: No School Board Recall.

The three largest contributors to the true source recipient committee:  
1. Melissa Daar, 2. Brandee Marckmann, 3. Sam Murphy.

---

## **Paid Argument AGAINST Proposition A**

---

As an SFUSD parent and educator, I was elected to fight for equitable, inclusive and safe schools, and to ensure all students - not a select few - have access to a quality education. Over the last three years I have kept my promises to families.

When the global pandemic hit San Francisco, I and Board and District partners took extraordinary steps to keep our communities safe, support families, and continue instruction. We partnered with the community and private sector to distribute over 36,000 laptops and 15,000 hotspots to bridge the digital divide for every student that needed it. When our communities were experiencing food insecurity, we provided over one-million meals so no child went hungry.

We fought for clean air in every classroom, pushed for outdoor education, and took immediate action when we learned of potentially life-threatening conditions in one of our schools, Buena Vista - Horace Mann.

We never took a break. We did this in partnership with parents and educators, always centering our most vulnerable families. When some people wanted to rush reopening before staff said schools were ready, we said "NO!" It was our responsibility to keep families, and our city, SAFE. We have been doing the work we were elected to do.

Beyond the Covid 19 crisis, we enacted policies to involve youth in culturally responsive high school wellness programs. We became an Arts Equity District and made music instruction available to all elementary students, no matter their parent's income. We partnered with the Human Rights Commission to ensure all students PK - 12 see their culture reflected in the curriculum and their history celebrated in their schools.

This recall is an effort to silence your voice and overturn your success in electing educators and parents who are knowledgeable and committed to our public schools.



Make your VOICE heard. VOTE NO School Board Recalls!

(Learn more at: [alisoncollinssf.com](http://alisoncollinssf.com))

*Alison Collins*

The true source(s) of funds for the printing fee of this argument:  
Alison Collins.

# Proposition B – Recall Measure Regarding Gabriela López

Shall Gabriela López be recalled (removed) from the School Board for the San Francisco Unified School District?

<b>YES</b>	<input type="radio"/>
<b>NO</b>	<input type="radio"/>

---

**Digest** by the Ballot Simplification Committee

---

**The Way It Is Now:** Gabriela López is a member of the Board of Education (School Board) that governs the San Francisco Unified School District (School District). The School District operates the San Francisco public school system through 12th grade.

On November 6, 2018, Gabriela López was elected to the School Board to a four-year term ending on January 8, 2023.

On November 8, 2022, the City will hold its regularly scheduled election for School Board members, and the candidates elected at that time would serve for a full four-year term beginning on January 8, 2023.

**The Proposal:** Proposition B is a recall measure that would remove Gabriela López from the School Board 10 days after the Board of Supervisors declares the results of this election. The Mayor would then appoint a replacement to serve on the School Board for the rest of Gabriela López's term.

The replacement appointed by the Mayor may run as a candidate for the School Board in the November 2022 election.

**A "YES" Vote Means:** If you vote "yes," you want to remove Gabriela López from the School Board for the San Francisco Unified School District.

**A "NO" Vote Means:** If you vote "no," you want to keep Gabriela López on the School Board for the San Francisco Unified School District.

---

## **Controller's Statement on "B"**

---

City Controller Ben Rosenfield has issued the following statement on the fiscal impact of Proposition B:

Should the proposed School Board recall measure be approved by the voters, in my opinion, it would have a minimal impact on the cost of government.

As is always the case in our ballot analysis, this does not include the cost of administering the election, which is unchanged regardless of the outcome of the measure.

---

## **How "B" Got on the Ballot**

---

On September 7, 2021, the Department of Elections (Department) received a petition to recall Board of Education member Gabriela López. After review, the Department determined that the petition contained a sufficient number of valid signatures to require a special municipal (recall) election be held.

The total number of signatures on the petition was 75,564. The Department reviewed 3,778 randomly selected signatures (5% of the total submitted) which indicated the petition contained a number of valid signatures greater than the minimum 51,325 signatures required for the petition to be deemed successful.

**This measure requires 50%+1 affirmative votes to pass.**

**The above statement is an impartial analysis of this measure. Arguments for and against this measure immediately follow.**

---

## **Paid Argument IN FAVOR of Proposition B**

---

**This campaign is personal.**

**We saw the fallout in our own family when schools were closed:**

Siva's high school honors student failing classes and barely leaving his bed; Autumn's kids happily learning in person elsewhere. **It was unfair.**

So when emails, calls, and protests went unheard, **we started this recall to give families hope.**

We knew nothing about politics, so we stood up and asked for help. And help came from all over the city.

Parents and teachers joined forces to collect signatures. 80,000 people signed to recall the school board -- the first citywide recall in decades.

**Our school board is incompetent, and you should recall them.**

Renaming instead of reopening. Ignoring a massive budget deficit. Collins's anti-Asian tweets and \$87 million lawsuit against our schools.

**But this recall is about more than that. It's about giving our most disadvantaged kids a brighter future.**

Siva grew up under a government **more fixated on changing the street signs than filling the potholes -- or having working schools.**

Where every family who could afford to (and many who could not) put their kids in private school.

Siva's family could not afford it. But they sent him anyway, even when it meant skipping food for days. That education is why he's here today, instead of breaking down ships in the sweltering sun like so many of his friends.

**We are failing San Francisco's most disadvantaged children in the same way:** changing school names instead of making sure the kids inside can read. Ignoring the learning loss that will steal their dreams.

We're standing up for them, fighting for every kid to get a great education and build a successful life.

**We need you. Will you help us?**

**Vote YES to recall the school board.**

[www.recallschoolboard.org](http://www.recallschoolboard.org)

*Autumn Looijen & Siva Raj  
Recall Campaign Co-leads*

The true source(s) of funds for the printing fee of this argument:  
Recall School Board Members López, Collins & Moliga.

The three largest contributors to the true source recipient committee:  
1. Arthur Rock, 2. David Sacks, 3. Garry Tan.

---

## **Paid Argument IN FAVOR of Proposition B**

---

Vote **YES** on the non-partisan, parent-led recall of Gabriela Lopez!

Due to her negligent "leadership," SFUSD is facing a \$125 million budget shortfall, was the only major metropolitan district in America to not return middle and high school students to classrooms last year, and has one of the worst racial achievement gaps in California. Lopez's response to these challenges has been to spend hundreds of thousands of dollars renaming schools, attack parents, embroil the district in multiple lawsuits, and "close" the achievement gap by lowering standards rather than improving instruction. Enough is enough. Recall Lopez to put students first.

*San Francisco Republican Party  
John Dennis, Chairman*

The true source(s) of funds for the printing fee of this argument: San Francisco Republican Party County Central Committee (State Account).

---

## **Paid Argument IN FAVOR of Proposition B**

---

I support the recall of all three San Francisco School Board members because they have failed at their jobs and failed our students.

Events of the last year and a half of this global pandemic have put our public school system in an incredibly challenging position, and right now we are at a crossroads.

Our kids must come first. But our School Board's priorities have often been severely misplaced, undermining the education and mental health of our students.

This grassroots recall effort is led by parents whose kids have fallen far behind in their education, are breaking down from the mental health challenges of a pandemic, exacerbated by chaos in our public school system. These three school board members didn't listen to their voices, prioritize their kids in the classroom or try to solve the immense problems facing the District.

It's essential that we have leadership that will tackle the challenges of hiring a new Superintendent who will lead the District through one of the most pivotal times in its history, help move the District out of its current dire fiscal situation and back onto solid financial footing, and focus on helping our students succeed after spending more than a year out of the classroom.

It's time for new school board members who put kids first.

*Mayor London Breed*

The true source(s) of funds for the printing fee of this argument: Concerned Parents Supporting the Recall of Collins, Lopez, and Moliga.

The three largest contributors to the true source recipient committee: 1. Brian Singerman, 2. Terence Abad, 3. Ann Hsu.

---

## **Paid Argument IN FAVOR of Proposition B**

---

I support the recall of all three Board of Education Members, Collins, Lopez and Moliga, because they have failed in their responsibilities as members of the Board and have failed our students and families.

These three Board of Education members have all too often focused on politics instead of students.

While they should have been singularly focused on safely reopening our schools, they voted against hiring a consultant to help with that process - which the Superintendent described as a "body blow" to reopening efforts - and spent time discussing renaming our schools rather than re-opening them.

They've allowed the school district's fiscal standing to deteriorate so severely that the state Superintendent of Public Instruction intervened to stop the school district from becoming financially insolvent. The district needs strong and responsible leadership to right the ship.

Families are pulling their children from our schools, and enrollment is at its lowest level in decades. We need leadership that prioritizes and uplifts all of our students and that is fully focused on their well-being over personal political priorities.

*Senator Scott Wiener*

The true source(s) of funds for the printing fee of this argument: Concerned Parents Supporting the Recall of Collins, Lopez, and Moliga.

The three largest contributors to the true source recipient committee:  
1. Brian Singerman, 2. Terence Abad, 3. Ann Hsu.

---

## **Paid Argument IN FAVOR of Proposition B**

---

I'm a proud San Francisco public school graduate and lifelong Democrat from a union and Latino family steeped in education and



activism. I've served three Democratic presidential administrations, led a national immigrant rights organization, taught, and been a law school dean.

Equal educational opportunity is the foundation for socioeconomic advancement, particularly for newcomers and people starting on the margins of society. In Frederick Douglass' words, "Education is the key to freedom."

This School Board has abandoned the quest for academic excellence and is making no progress on achieving equality. Families leave our schools. Those who can't afford to leave have little choice but to remain. Despite consistently supporting school bond measures, we have unsafe schools. The School Board can't say where the money went. They've undermined the legitimacy and quality of our public education.

Large majorities of parents of every background pleaded for safe school reopening. Instead, the School Board fixated on removing school names like Mission, Lincoln & Jose Ortega. They planned to give all students "A" grades in every subject until the state threatened to deny academic credit to the scheme.

Losing time means losing children. This School Board has proven it can not be trusted on key decisions and should be removed now, not in 2023. State law already shields elected officials from recall at the start of their terms. We should not be denied our democratic right to recall them based on their actions in office just because it is close to the end of their terms. We said "No" when Donald Trump said it was too late to try to impeach him. The time lost in students' educational lifetimes is too precious to wait to act.

Join the people's recall of San Franciscans tired and frustrated with School Board members who have failed children's educational needs and disregarded fiscal integrity.

*John Trasviña*

The true source(s) of funds for the printing fee of this argument:  
Recall School Board Members Lopez, Collins & Moliga.

The three largest contributors to the true source recipient committee:  
1. David Sacks, 2. Arthur Rock, 3. Garry Tan.

---

## **Paid Argument IN FAVOR of Proposition B**

---

This Board of Education has failed so completely at its job that we now face a special election to recall several of its members.

Families for San Francisco considers five principles in evaluating each removal:

- 1 - Performance: failure to perform the duties of the office to a minimum standard.
- 2 - Process: undemocratic processes while in office; blatant disregard of rules and procedures.
- 3 - Power: abuse of power and position to harass or diminish the voice of constituents.
- 4 - Interest: placing personal interest over the interests of the public and/or the institution that is overseen.
- 5 - Conduct: pattern of conduct that disrupts the proper functioning of the position, office, or agency.

Gabriela López has failed to perform to the minimum standards for a Board of Education President. She has repeatedly ignored prescribed legal processes while presiding over board meetings, which has resulted in the school district losing multiple lawsuits during her tenure. López was a champion for the school renaming project, instead of fighting to reopen them during the pandemic.

President López also put her friendship with Collins over her duties as President of the Board. When Commissioner Collins' anti-Asian tweets came to light and she launched her frivolous \$87 million lawsuit, López attended Collins' press conference event in solidarity: López literally stood with the person suing the district instead of the families the district serves.

Families for San Francisco recommends a vote to recall Commissioner Gabriela López.

*Patrick Wolff - Executive Director  
Families for San Francisco*

familiesforsanfrancisco.com

The true source(s) of funds for the printing fee of this argument:  
Families for San Francisco.

---

## **Paid Argument IN FAVOR of Proposition B**

---

Former School Board Commissioners Recommend Yes Vote on the Recall

As former Commissioners of the San Francisco Board of Education we are gravely concerned about the current School Board.

The current Board ignored the plight of families during the pandemic and instead created foolish distractions. These included (i) attempting to destroy historic murals at Washington High School; (ii) the ill-conceived and faulty process to rename schools when there was no urgency for doing so; and (iii) making permanent changes to the admissions process at Lowell High School.

The Board took these actions while failing to reopen schools for over a year, leaving families struggling with distance learning, losing precious instructional time and causing academic and emotional damage, including to students of color the Board claims to champion.

Parents and members of the public had to go to court to reverse these actions. The public should not have to sue its school board to get it to act responsibly.

They remain tone deaf to their responsibilities. The Board has now accumulated a \$125m budget deficit and driven thousands of families out. The State has put the District on notice of impending bankruptcy

and possible State takeover.

Rather than address structural problems and put the District on stable footing, they redirected \$100 million designated for Ruth Asawa High School of the Arts in Civic Center. Their action undoes thirty years of community work and partnerships with our major Arts institutions, advocates and supporters and damages arts programs for future generations.

We are compelled to support this recall and promote a more responsible school board providing leadership that includes consultation with the community and involves parents to support every child.

Vote Yes on Propositions A, B, and C for the future of San Francisco.

*Jill Wynns*

*Dan Kelly*

*Eddie Chin*

*Carlota Del Portillo*

*Fred Rodriguez*

*Former Commissioners, San Francisco Board of Education*

The true source(s) of funds for the printing fee of this argument: Concerned Parents Supporting the Recall of Collins, Lopez and Moliga.

The three largest contributors to the true source recipient committee: 1. Brian Singerman, 2. Todd David, 3. Terence Abad.

---

## **Paid Argument IN FAVOR of Proposition B**

---

To Prevent More Harm to our Children's Education, Vote Yes on the Recall

This past year the Superintendent took the unprecedented step of conditioning remaining in his job upon the School Board "following the law." The Superintendent's demand required the School Board to follow its own rules and obey the laws they swore to uphold.

The Board's unlawful actions have deprived the community of due process, repeatedly silenced dissent, divided the community, and created a culture of bullying and intimidation.

In the past year, the San Francisco Superior Court has reversed the Board's unlawful and irresponsible decisions to (1) tear down Lowell High School's merit-based admissions policy (2) remove the murals at Washington High School and (3) rename 44 public schools.

During the pandemic, the Board wasted hundreds of thousands of dollars to tear the community down instead of focusing on improving education. The effort, time, and money required to reverse these decisions and to save Lowell High School, which provides clear pathways to opportunity for all students, could have been spent advancing education for all. Abolishing Lowell academic admissions ignores the educational needs of students at the PreK-Grade 8 levels and at all San Francisco high schools.

Recall Commissioners Collins, Moliga & Lopez and put educational advancement and the needs of all students first and foremost.

*Christine Linnenbach, Attorney Representing Friends of Lowell Foundation, Asian American Legal Foundation and the Lowell Alumni Association\**

\*For identification purposes only; author is signing as an individual and not on behalf of an organization.

The true source(s) of funds for the printing fee of this argument: Concerned Parents Supporting the Recall of Collins, Lopez and Moliga.

The three largest contributors to the true source recipient committee: 1. Brian Singerman, 2. Todd David, 3. Terence Abad.

---

**Paid Argument IN FAVOR of Proposition B**

---

**DON'T DESTROY THE MURALS. RECALL THE SCHOOL BOARD.**

Commissioners Alison Collins, Faauuga Moliga, and Gabriela Lopez voted to paint over George Washington High School's murals because they depict an unvarnished history of America's founding.

These murals honestly present our first President and his times, highlighting the American Revolution and creation of the Constitution, and Washington's commitment to education. They also show African American enslavement at Mount Vernon and the disastrous consequences of western expansion for Native Americans. The muralist, a colleague of Diego Rivera, was persecuted for his political views.

Poet Alice Walker, whose daughter attended George Washington High, commented: "it is never a good idea to destroy art; it is better to explain it. That is what education helps us to do; the murals depict George Washington in a truer light than most other works and histories."

Dewey Crumpler, creator of the "Multi-Ethnic Heritage" mural at George Washington, warned, "If you whitewash that mural, it will only bleed in history more powerfully than it bleeds right now."

As educators, artists, historians and citizens who oppose censorship, we want these murals, as well as those at Mission High School, Roosevelt Middle School, Aptos Middle School, and Harvey Milk Civil Rights Academy, to be used for their intended purpose – to illustrate history.

President Biden stated "Great nations don't ignore their most painful moments...they embrace them...And in remembering those moments, we begin to heal and grow stronger."

When artworks depict uncomfortable but historically accurate images, they stimulate discussions about our past and energize students.

Don't "cancel" the George Washington High murals. Recall Commissioners Alison Collins, Faauuga Moliga and Gabriela Lopez.

*Matt Gonzalez, Former President Board of Supervisors\**  
*John Burton, Former Chair California Democratic Party\**

*Robert Cherny*  
*Rebecca Cherny*  
*Robert Flynn Johnson*  
*Jeff Brown, Former Public Defender\**  
*Larry Griffin*  
*John Rothman*  
*Paul Arnautoff*  
*Annette Melville*  
*Marie Jose Durquet, Teacher*  
*William Lee, Retired Chief Administrative Officer\**  
*Dr. James Davis*  
*Dr. Thomas Raffin*  
*Carolyn Lee*  
*David Takashima*  
*Larry Simi*  
*Peter G. Hanson*

\*For identification purposes only; author is signing as an individual and not on behalf of an organization.

The true source(s) of funds for the printing fee of this argument:  
Recall School Board Members Lopez, Collins, Moliga.

The three largest contributors to the true source recipient committee:  
1. David Sacks, 2. Arthur Rock, 3. Garry Tan.

---

## **Paid Argument IN FAVOR of Proposition B**

---

Balboa High community supports recall of Collins, Lopez & Moliga

We are San Franciscans and proud members of the Balboa High Community, a great school that has educated working and middle class students in the Excelsior, Ingleside and Outer Mission for 92 years.

We support the recall of Commissioners Collins, Lopez & Moliga because they have:



- Wasted time and energy with their top-down mandate to change the names of 44 schools while schools were closed. They refused to consult with historians or the Balboa community, and postponed their mandate only after they were sued for violation of the Brown Act.
- Provided no cost analysis for their mandate. The Sacramento Bee estimates name changes cost \$100,000-\$150,000 per site.
- Overspent into a \$116 million deficit by next July, 2022. Until recently, they refused to provide the state a plan to address a \$187 million deficit expected in 2023.
- Lagged far behind San Francisco private schools safely returning students to school during the pandemic.

These Commissioners are focused on their political ideology and not on excellence for our students. Their rhetoric is divisive and hurtful to our community. They have repeatedly ignored the Balboa Community's letters and emails.

In the words of Emily Sanchez Powell, President Emerita of Balboa Alumni Association, "At Balboa our education and our lives are enhanced by deeply felt 'School Spirit' and 'Valued Traditions' that develop strong bonds between all age groups. I believe I speak for most of our Balboa Alums when I support the recall!"

These Commissioners are not up to the challenges facing our families and school. Join us in supporting their Recall!

*Marcia Parrott, Educator*

*Anthony Ramirez, Former Principal*

*Dawn Isaacs, R.N. N.P.*

*Jorge Leiva, Parent*

*Joe Rodriguez, Grandfather of a Freshman*

*Ella Chiu, Parent Liaison*

*Xiao Hua Mo, Parent*

*Laura Hurley, Former Administrator*

*Joey Elacion, Parent of a Senior*

*Feng Zhu Chen, Parent*

*Alicia Calderon Weeks*

The true source(s) of funds for the printing fee of this argument:  
Recall School Board Members Lopez, Collins and Moliga.

The three largest contributors to the true source recipient committee:  
1. David Sacks, 2. Arthur Rock, 3. Garry Tan.

---

---

## ***End of Paid Arguments IN FAVOR of Proposition B***

---

## **Paid Argument AGAINST Proposition B**

### **JOIN SFUSD PARENTS & TEACHERS IN VOTING NO ON THE RECALL OF GABRIELA LOPEZ**

**Schools are where childhood happens. As Board president, Gabriela López has worked to make our schools a place where San Francisco kids from different places and races learn to understand the present and prepare for the future. And wealthy donors want to recall her for doing just that.**

#### **The recall is anti-parent and anti-voter.**

If the recall passes, you don't get a vote in who will represent you. One person, the mayor, will appoint the replacements. Parents, not the mayor, should choose who is on the Board of Education because the decisions they make will impact our children.

#### **Stop the recall frenzy.**

There are many recall efforts across California and the country. We just withstood the recall of our governor. If this passes, we will likely have to deal with even more recall elections that cost tax-paying parents money and take funds away from our kids' schools.

#### **Board of Education election already scheduled for November 2022.**

Recall proponents knew they couldn't win this November when voters turn out in greater numbers. A NO vote means you support the most voters coming to the polls to decide which Commissioners they want to elect.

Gabriela Lopez is a knowledgeable, experienced public school teacher who has put student and family voices at the center of her policies.

## **VOTE NO ON THE RECALL OF GABRIELA LÓPEZ and NO ON ALL SCHOOL BOARD RECALLS**

*NoSchoolBoardRecall.org*

The true source(s) of funds for the printing fee of this argument: No on Recalls of School Board Commissioners Lopez, Collins and Moliga.

The three largest contributors to the true source recipient committee:  
1. Samantha Murphy, 2. Martin MacKerel, 3. Darcie Bell.

---

## **Paid Argument AGAINST Proposition B**

---

The San Francisco Berniecrats and the San Francisco Latinx Democratic Club unequivocally oppose the Board of Education recalls against President Gabriela Lopez.

The SF Berniecrats and the SF Latinx Democratic Club oppose undemocratic and frivolous recalls that cost the school district and voters money unnecessarily, especially when the proponents of the recall are funded with VC money. Elections matter, and the electoral process has been abused by millionaires paying \$1.2 million to gather 50k signatures, allowing the affluent minority to overrule the will of the voters. There is an election in November, the voters have the right to decide then without the influence of appointed representatives having an unfair advantage. Let the voters decide!

*San Francisco Berniecrats*

*San Francisco Latinx Democratic Club*

The true source(s) of funds for the printing fee of this argument: San Francisco Berniecrats.

The three largest contributors to the true source recipient committee:  
1. Brandee Marckmann, 2. Brett Wilkins, 3. Brandon Harami.

---

## **Paid Argument AGAINST Proposition B**

---

Join the educators of San Francisco in voting NO on the recall of School Board President Gabriela López.

Because we care for our students and love our communities, United Educators of San Francisco stands against the BOE recalls. With everything we are facing in education this year, our students need resources, not recalls. If López is recalled, voters have no say in her replacement. The mayoral appointee could be a proponent of privatization and/or charter schools which do not serve all students like public schools do. An independent AND elected school board serves the interests of students and educators in defending and strengthening public education.

Recall proponents claim a grassroots effort but they are backed by hundreds of thousands of dollars from conservatives and Trump supporters like David Sacks and Arthur Rock. Without the funding from these sources, they would not have been successful in collecting signatures to trigger this recall election.

Join teachers, workers, parents, city politicians, labor organizations, community groups and many others in VOTING NO on the recall of Gabriela López.

*United Educators of San Francisco*

The true source(s) of funds for the printing fee of this argument: UESF Candidates PAC.

---

## **Paid Argument AGAINST Proposition B**

---

### **Democrats, VOTE NO on the recall**

Follow the money. Recalls are a Republican strategy to overturn fair democratic elections, and they are coming for our schools. 200+ school board officials across the nation are being targeted as part of a dangerous movement. Republicans know they cannot win in normal

elections, but fewer San Franciscans vote in recalls and that gives them a chance.

Recalls are a waste of money especially when the regular election is just months away! It's simple: if we don't like the actions of our representatives, we vote them out. San Franciscans disagree on a lot of things, but we agree on maintaining an open democratic process.

### **Focus on Facts**

- 100% of schools are opened
- 0% COVID-related SFUSD student and teacher deaths
- 96% vaccinated SFUSD staff.

We do not always agree with the School Board, but we believe in elections not recalls.

### **VOTE NO RECALL**

*Winnie Porter*

The true source(s) of funds for the printing fee of this argument: No School Board Recall.

The three largest contributors to the true source recipient committee:  
1. Melissa Daar, 2. Brandee Marckmann, 3. Sam Murphy.

# Proposition C – Recall Measure Regarding Faauuga Moliga

Shall Faauuga Moliga be recalled (removed) from the School Board for the San Francisco Unified School District?

<b>YES</b>	<input type="radio"/>
<b>NO</b>	<input type="radio"/>

---

**Digest** by the Ballot Simplification Committee

---

**The Way It Is Now:** Faauuga Moliga is a member of the Board of Education (School Board) that governs the San Francisco Unified School District (School District). The School District operates the San Francisco public school system through 12th grade.

On November 6, 2018, Faauuga Moliga was elected to the School Board to a four-year term ending on January 8, 2023.

On November 8, 2022, the City will hold its regularly scheduled election for School Board members, and the candidates elected at that time would serve for a full four-year term beginning on January 8, 2023.

**The Proposal:** Proposition C is a recall measure that would remove Faauuga Moliga from the School Board 10 days after the Board of Supervisors declares the results of this election. The Mayor would then appoint a replacement to serve on the School Board for the rest of Faauuga Moliga's term.

The replacement appointed by the Mayor may run as a candidate for the School Board in the November 2022 election.

**A "YES" Vote Means:** If you vote "yes," you want to remove Faauuga Moliga from the School Board for the San Francisco Unified School District.

**A "NO" Vote Means:** If you vote "no," you want to keep Faauuga Moliga on the School Board for the San Francisco Unified School District.

---

## **Controller's Statement on "C"**

---

City Controller Ben Rosenfield has issued the following statement on the fiscal impact of Proposition C:

Should the proposed School Board recall measure be approved by the voters, in my opinion, it would have a minimal impact on the cost of government.

As is always the case in our ballot analysis, this does not include the cost of administering the election, which is unchanged regardless of the outcome of the measure.

---

## **How "C" Got on the Ballot**

---

On September 7, 2021, the Department of Elections (Department) received a petition to recall Board of Education member Faauuga Moliga. After review, the Department determined that the petition contained a sufficient number of valid signatures to require a special municipal (recall) election be held.

The total number of signatures on the petition was 71,928. The Department reviewed 3,596 randomly selected signatures (5% of the total submitted) which indicated the petition contained a number of valid signatures greater than the minimum 51,325 signatures required for the petition to be deemed successful.

**This measure requires 50%+1 affirmative votes to pass.**

**The above statement is an impartial analysis of this measure. Arguments for and against this measure immediately follow.**



---

## Paid Argument IN FAVOR of Proposition C

---

**This campaign is personal.**

**We saw the fallout in our own family when schools were closed:**

Siva's high school honors student failing classes and barely leaving his bed; Autumn's kids happily learning in person elsewhere. It was unfair.

So when emails, calls, and protests went unheard, **we started this recall to give families hope.**

We knew nothing about politics, so we stood up and asked for help. And help came from all over the city.

Parents and teachers joined forces to collect signatures. 80,000 people signed to recall the school board -- the first citywide recall in decades.

**Our school board is incompetent, and you should recall them.**

Renaming instead of reopening. Ignoring a massive budget deficit. Collins's anti-Asian tweets and \$87 million lawsuit against our schools.

**But this recall is about more than that. It's about giving our most disadvantaged kids a brighter future.**

Siva grew up under a government **more fixated on changing the street signs than filling the potholes -- or having working schools.**

Where every family who could afford to (and many who could not) put their kids in private school.

Siva's family could not afford it. But they sent him anyway, even when it meant skipping food for days. That education is why he's here today, instead of breaking down ships in the sweltering sun like so many of his friends.

**We are failing San Francisco's most disadvantaged children in the same way:** changing school names instead of making sure the kids inside can read. Ignoring the learning loss that will steal their dreams.

We're standing up for them, fighting for every kid to get a great education and build a successful life.

**We need you. Will you help us?**

**Vote YES to recall the school board.**

[www.recallschoolboard.org](http://www.recallschoolboard.org)

*Autumn Looijen & Siva Raj  
Recall Campaign Co-leads*

The true source(s) of funds for the printing fee of this argument:  
Recall School Board Members López, Collins & Moliga.

The three largest contributors to the true source recipient committee:  
1. Arthur Rock, 2. David Sacks, 3. Garry Tan.

---

## **Paid Argument IN FAVOR of Proposition C**

---

Vote **YES** on the non-partisan, parent-led recall of Faauga Moliga! Due to his negligent "leadership," SFUSD is facing a \$125 million budget shortfall, was the only major metropolitan district in America to not return middle and high school students to classrooms last year, and has one of the worst racial achievement gaps in California. Moliga's response to these challenges has been to spend hundreds of thousands of dollars renaming schools, attack parents, embroil the district in multiple lawsuits, and "close" the achievement gap by lowering standards rather than improving instruction. Enough is enough. Recall Moliga to put students first.

*San Francisco Republican Party  
John Dennis, Chairman*

The true source(s) of funds for the printing fee of this argument: San Francisco Republican Party County Central Committee (State Account).

---

## **Paid Argument IN FAVOR of Proposition C**

---

I support the recall of all three San Francisco School Board members because they have failed at their jobs and failed our students.

Events of the last year and a half of this global pandemic have put our public school system in an incredibly challenging position, and right now we are at a crossroads.

Our kids must come first. But our School Board's priorities have often been severely misplaced, undermining the education and mental health of our students.

This grassroots recall effort is led by parents whose kids have fallen far behind in their education, are breaking down from the mental health challenges of a pandemic, exacerbated by chaos in our public school system. These three school board members didn't listen to their voices, prioritize their kids in the classroom or try to solve the immense problems facing the District.

It's essential that we have leadership that will tackle the challenges of hiring a new Superintendent who will lead the District through one of the most pivotal times in its history, help move the District out of its current dire fiscal situation and back onto solid financial footing, and focus on helping our students succeed after spending more than a year out of the classroom.

It's time for new school board members who put kids first.

*Mayor London Breed*

The true source(s) of funds for the printing fee of this argument: Concerned Parents Supporting the Recall of Collins, Lopez, and Moliga.

The three largest contributors to the true source recipient committee:  
1. Brian Singerman, 2. Terence Abad, 3. Ann Hsu.

---

## **Paid Argument IN FAVOR of Proposition C**

---

I support the recall of all three Board of Education Members, Collins, Lopez and Moliga, because they have failed in their responsibilities as members of the Board and have failed our students and families.

These three Board of Education members have all too often focused on politics instead of students.

While they should have been singularly focused on safely reopening our schools, they voted against hiring a consultant to help with that process - which the Superintendent described as a "body blow" to reopening efforts - and spent time discussing renaming our schools rather than re-opening them.

They've allowed the school district's fiscal standing to deteriorate so severely that the state Superintendent of Public Instruction intervened to stop the school district from becoming financially insolvent. The district needs strong and responsible leadership to right the ship.

Families are pulling their children from our schools, and enrollment is at its lowest level in decades. We need leadership that prioritizes and uplifts all of our students and that is fully focused on their well-being over personal political priorities.

*Senator Scott Wiener*

The true source(s) of funds for the printing fee of this argument:  
Concerned Parents Supporting the Recall of Collins, Lopez, and Moliga.

The three largest contributors to the true source recipient committee:  
1. Brian Singerman, 2. Terence Abad, 3. Ann Hsu.

---

## **Paid Argument IN FAVOR of Proposition C**

---

### Restore Credibility to Our City

As community members of Abraham Lincoln High School we support the Recall of School Board Commissioners Collins, Moliga and Lopez.

Abraham Lincoln High School made national news when the School Board voted to take our School name away but the members of the community had no input.

The School Board is not listening to us or putting student needs and education first.

By their inaction, they have proven incapable of fixing the budget problems.

Their continued presence makes it harder to attract the best superintendent to San Francisco. Therefore, they should be recalled on February 15, 2022.

*Jonathan Woo*  
*Anna M. Kauffman*  
*John Burton*  
*Robert Bjorkquist*  
*Lorri Ungaretti*  
*William Jones*  
*Deanna Jones*  
*Rex E. Ridgeway*  
*John Azzaro*

The true source(s) of funds for the printing fee of this argument:  
Recall School Board Members Lopez, Collins and Moliga.

The three largest contributors to the true source recipient committee:  
1. David Sacks, 2. Arthur Rock, 3. Garry Tan.

---

## **Paid Argument IN FAVOR of Proposition C**

---

### The Case for Recalling the San Francisco School Board

Well-run public schools are essential for a city to function and thrive. San Francisco's future depends on being able to retain families, but too many are moving away because of our mismanaged public schools. That's why every resident should care about the school board.

There are troubling trends on this school board's watch that keep San Francisco from having high quality public schools:

San Francisco ranks among the worst school districts in California when it comes to the achievement gap facing Black and Latino students.

A quarter of our kids attend private school, compared to only nine percent in California. We have to attract families back to public schools — especially the working parents stretching themselves to pay for private tuition.

Many families leave San Francisco for better schools when kids reach a certain age, which contribute to San Francisco having the lowest percentage of children among major U.S. cities.

We can't fix our public schools without first fixing an incompetent school board, which has ignored a deficit crisis and drop in enrollment that could lead to a state takeover.

That's why we must recall the school board commissioners who failed their core duty to safely reopen schools for more than a year after the COVID pandemic started. Their inaction subjected students to harmful learning loss and mental health stress for many months longer than necessary.

Alison Collins, Gabriela Lopez, and Faauuga Moliga were the only commissioners eligible for recall when the effort started. Otherwise, all seven commissioners would have been on the recall list for participating in disastrous decisions that hurt the public schools San Francisco's families depend on.

Read the point-by-point case for recall:  
[engardio.com/blog/school-board-recall-case](http://engardio.com/blog/school-board-recall-case)

*Joel Engardio*

The true source(s) of funds for the printing fee of this argument:  
Recall School Board Members Lopez, Collins & Moliga.

The three largest contributors to the true source recipient committee:  
1. David Sacks, 2. Arthur Rock, 3. Garry Tan.

---

## **Paid Argument IN FAVOR of Proposition C**

---

**APTOS MIDDLE SCHOOL COMMUNITY MEMBERS SUPPORT THE  
RECALL**

As current or past parents, teachers, and graduates of Aptos Middle School, we support the School Board recall of Commissioners Collins, Moliga & Lopez.

Our community suffered greatly during COVID, a situation made worse by the School Board not listening to us or putting student needs and education first.

By their inaction, they have proven incapable of fixing the budget problems. Their continued presence makes it harder to attract the best superintendent to San Francisco.

Therefore, they should be recalled on February 15.

*Roy Abendroth  
Russell Addiego  
William Black  
Roberta Bleiweiss  
Neil Breitbarth  
Kevin Fong  
Laura Hurley  
Damara Reilly*



*Stephen Roditti*  
*Phillip Shinn*  
*Eric SooHoo*  
*Nicky Trasvina*  
*Wesley Wong*  
*Susan Yip*

The true source(s) of funds for the printing fee of this argument:  
Concerned Parents Supporting the Recall of Collins, Lopez & Moliga.

The three largest contributors to the true source recipient committee:  
1. Brian Singerman, 2. Todd David, 3. Terence Abad.

---

## **Paid Argument IN FAVOR of Proposition C**

---

**We, members of the George Washington High School community, believe a school board's top priority should be to ensure the best education for students.**

In San Francisco our School Board is doing the opposite.  
Commissioners Allison Collins, Faauuga Moliga, and Gabriela Lopez, have spent time and taxpayer money:

Voting to paint over an internationally recognized and historically accurate mural depicting the life and times of George Washington; a process the San Francisco Superior Court ruled violated state law.

Undertaking a widely ridiculed proposal to change the names of 44 schools; this too was struck down by the court.

Refusing to create an orderly plan to re-open the schools, disregarding science and medical advice, a policy which increased the already wide reading and math achievement gaps.

Ignoring an LGBTQ father who volunteered for the Parent Advisory Council which lacked men and LGBTQ representation.

Transferring voter-authorized capital improvement money from a project to clean up a rat-infested elementary school, and instead spend-

ing more than \$1million on lawyers to defend their attempt to paint over the Washington High murals.

Running up a \$125 million budget deficit.

For a clean start, Commissioners Collins, Moliga and Lopez must be recalled.

*Matt Gonzalez, Former President Board of Supervisors\**

*John Burton, Former Chair California Democratic Party\**

*Larry Griffin*

*John Rothmann*

*Emil De Guzman*

*Lily Ho*

*Elizabeth Shypertt*

*Janet Broude*

*Dena Gardi*

*Bryan McDonald*

*Terry Redmond*

*Steve Kovacs, Professor*

*Ron Blatman*

*Dan Yee*

*Sherrie Rosenberg*

*Coleman Rosenberg*

*Sidney Keith*

*Paulina Fayer*

*Judith Gorski*

*Stephen J. Gorski*

*Charles Perkins*

*Tony Villa*

*Linda Chapman*

*Ina Levin Gyemant, Judge, (Ret.)\**

\*For identification purposes only; author is signing as an individual and not on behalf of an organization.

The true source(s) of funds for the printing fee of this argument:  
Concerned Parents Supporting the Recall of Collins, Lopez & Moliga.

The three largest contributors to the true source recipient committee:  
1. Brian Singerman, 2. Todd David, 3. Terence Abad.

---

## **Paid Argument IN FAVOR of Proposition C**

---

### **DON'T DESTROY THE MURALS. RECALL THE SCHOOL BOARD.**

Commissioners Alison Collins, Faauga Moliga, and Gabriela Lopez voted to paint over George Washington High School's murals because they depict an unvarnished history of America's founding.

These murals honestly present our first President and his times, highlighting the American Revolution and creation of the Constitution, and Washington's commitment to education. They also show African American enslavement at Mount Vernon and the disastrous consequences of western expansion for Native Americans. The muralist, a colleague of Diego Rivera, was persecuted for his political views.

Poet Alice Walker, whose daughter attended George Washington High, commented: "it is never a good idea to destroy art; it is better to explain it. That is what education helps us to do; the murals depict George Washington in a truer light than most other works and histories."

Dewey Crumpler, creator of the "Multi-Ethnic Heritage" mural at George Washington, warned, "If you whitewash that mural, it will only bleed in history more powerfully than it bleeds right now."

As educators, artists, historians and citizens who oppose censorship, we want these murals, as well as those at Mission High School, Roosevelt Middle School, Aptos Middle School, and Harvey Milk Civil Rights Academy, to be used for their intended purpose – to illustrate history.

President Biden stated "Great nations don't ignore their most painful moments...they embrace them...And in remembering those moments, we begin to heal and grow stronger."

When artworks depict uncomfortable but historically accurate images, they stimulate discussions about our past and energize students.

Don't "cancel" the George Washington High murals. Recall Commissioners Alison Collins, Faaauga Moliga and Gabriela Lopez.

*Matt Gonzalez, Former President Board of Supervisors\**

*John Burton, Former Chair California Democratic Party\**

*Robert Cherny*

*Rebecca Cherny*

*Robert Flynn Johnson*

*Jeff Brown, Former Public Defender\**

*Larry Griffin*

*John Rothman*

*Paul Arnautoff*

*Annette Melville*

*Marie Jose Durquet, Teacher*

*William Lee, Retired Chief Administrative Officer\**

*Dr. James Davis*

*Dr. Thomas Raffin*

*Carolyn Lee*

*David Takashima*

*Larry Simi*

*Peter G. Hanson*

\*For identification purposes only; author is signing as an individual and not on behalf of an organization.

The true source(s) of funds for the printing fee of this argument:  
Concerned Parents Supporting the Recall of Collins, Lopez & Moliga.

The three largest contributors to the true source recipient committee:  
1. Brian Singerman, 2. Todd David, 3. Terence Abad.

---

## **Paid Argument IN FAVOR of Proposition C**

---

As a parent of two graduates from SFUSD and as the co-founder of a city-wide advocacy group that initiated both the public school enroll-

ment fair and the arts education resource fair, I have spent the past thirty years supporting all efforts to improve and promote public schools in San Francisco. Never in all my years have I encountered a group of individuals so clearly unprepared, incompetent, and untrustworthy as Collins, Moliga and Lopez. They destroyed the nearly 40 year old Youth Arts Festival and wasted time and resources through their ill-fated initiatives such as the school renaming process. They made policy changes such as Lowell admissions in violation of their own governance laws and abused district funds and resources on frivolous lawsuits.

How can we trust this current board to select a new superintendent, revise the student assignment process, focus on our students and teachers and build back confidence in our public schools? I am a Democrat in favor of recalling Collins, Moliga and Lopez. Please note that 22 current and former elected SF officials including all but one Supervisor called on Collins to resign.

*Sandra Halladey, Public School Advocate*

The true source(s) of funds for the printing fee of this argument:  
Sandra Halladey.

---

---

## ***End of Paid Arguments IN FAVOR of Proposition C***

---

## **Paid Argument AGAINST Proposition C**

### **JOIN SFUSD PARENTS & TEACHERS IN VOTING NO ON THE RECALL OF FAAUUGA MOLIGA**

Faauga Moliga and the San Francisco Board of Education have worked to protect schools from cuts and ensure our most vulnerable students get the services they need, even throughout the pandemic.

**Our schools and students need resources NOT recalls.**

There are many billionaire-funded recall efforts across California and

the country. We just withstood the recall of our governor. If this passes, we will likely deal with even **more recall elections** that will cost tax-payers more money and take funds away from our kids' schools.

**Voting NO Recall means you support our public schools.**

We must unite to stop these recalls that only hurt our public schools. We must unite to continue the efforts of this Board of Education to get the resources our schools need and to provide a quality education for every child, not just the children of a wealthy few.

**VOTE NO ON THE RECALL OF FAAUUGA MOLIGA and NO ON ALL SCHOOL BOARD RECALLS**

*NoSchoolBoardRecall.org*

The true source(s) of funds for the printing fee of this argument: No on Recalls of School Board Commissioners Lopez, Collins and Moliga.

The three largest contributors to the true source recipient committee: 1. Samantha Murphy, 2. Martin MacKerel, 3. Darcie Bell.

---

**Paid Argument AGAINST Proposition C**

---

The San Francisco Berniecrats and the San Francisco Latinx Democratic Club unequivocally oppose the Board of Education recalls against Vice President Faauga Moliga.

The SF Berniecrats and the SF Latinx Democratic Club oppose undemocratic and frivolous recalls that cost the school district and voters money unnecessarily, especially when the proponents of the recall are funded with VC money. Elections matter, and the electoral process has been abused by millionaires paying \$1.2 million to gather 50k signatures, allowing the affluent minority to overrule the will of the voters. There is an election in November, the voters have the right to decide then without the influence of appointed representatives having an unfair advantage. Let the voters decide!

*San Francisco Berniecrats*  
*San Francisco Latinx Democratic Club*

The true source(s) of funds for the printing fee of this argument: San Francisco Berniecrats.

The three largest contributors to the true source recipient committee:  
1. Brandee Marckmann, 2. Brett Wilkins, 3. Brandon Harami.

---

## **Paid Argument AGAINST Proposition C**

---

Join the educators of San Francisco in voting NO on the recall of School Board Vice-President Faauuga Moliga.

Because we care for our students and love our communities, UESF stands against the BOE recalls. With everything we are facing in education this year, our students need resources, not recalls. If Moliga is recalled, voters have no say in her replacement. The mayoral appointee could be a proponent of privatization and/or charter schools which do not serve all students like public schools do. An independent AND elected school board serves the interests of students and educators in defending and strengthening public education.

Recall proponents claim a grassroots effort but they are backed by hundreds of thousands of dollars from conservatives and Trump supporters like David Sacks and Arthur Rock. Without the funding from these sources, they would not have been successful in collecting signatures to trigger this recall election.

Join teachers, workers, parents, city politicians, labor organizations, community groups and many others in VOTING NO on the recall of Faauuga Moliga.

*United Educators of San Francisco*

The true source(s) of funds for the printing fee of this argument: UESF Candidates PAC.



---

## **Paid Argument AGAINST Proposition C**

---

### **Democrats, VOTE NO on the recall**

Follow the money. Recalls are a Republican strategy to overturn fair democratic elections, and they are coming for our schools. 200+ school board officials across the nation are being targeted as part of a dangerous movement. Republicans know they cannot win in normal elections, but fewer San Franciscans vote in recalls and that gives them a chance.

Recalls are a waste of money especially when the regular election is just months away! It's simple: if we don't like the actions of our representatives, we vote them out. San Franciscans disagree on a lot of things, but we agree on maintaining an open democratic process.

#### **Focus on Facts**

- 100% of schools are opened
- 0% COVID-related SFUSD student and teacher deaths
- 96% vaccinated SFUSD staff.

We do not always agree with the School Board, but we believe in elections not recalls.

### **VOTE NO RECALL**

*Winnie Porter*

The true source(s) of funds for the printing fee of this argument: No School Board Recall.

The three largest contributors to the true source recipient committee:  
1. Melissa Daar, 2. Brandee Marckmann, 3. Sam Murphy.

# Key Facts about the City's Voting System

San Francisco voters began using a new voting system in 2019. Voters who will be using this system for the first time may find the following information useful:

- 1.** To mark the ballot, voters fill in ovals next to their selections.
- 2.** All voting sites will have ballot-scanning machines and accessible ballot-marking devices. Ballot-marking devices feature:
  - Audio and touchscreen ballot formats (headphones and braille-embossed keypads are available)
  - Compatibility with assistive devices such as sip-and-puff and head pointer
  - Ballot secrecy and vote count security. The ballot-marking devices do not store voters' selections; after marking their ballots, voters need to print and have their ballots scanned by ballot-scanning machines.
- 3.** Prior to each election, the Department of Elections tests all of the City's voting equipment to verify that this equipment is functional and generates logically accurate results. Equipment testing is open to public observation, both in person and via livestream at [sfelections.org/observe](https://sfelections.org/observe).
- 4.** No part of the City's voting system connects to the internet or receives or transmits data through any external communication network. In an effort to provide maximum transparency, the Department of Elections publically posts images of voted ballots on its website, including information on how the marks on each ballot were interpreted and tabulated.

# Keep Your Voter Registration Information Current!

It is important to review the information in your voter registration record prior to every election. If your record contains outdated information such as the wrong mailing address, you may not receive official elections materials, including your vote-by-mail ballot. You may review your registration information by visiting [voterstatus.sos.ca.gov](https://voterstatus.sos.ca.gov) or by contacting the Department of Elections.

To update the information in your registration record, (re)register at [registertovote.ca.gov](https://registertovote.ca.gov), or contact the Department to request a paper registration form.

The deadline to (re)register online or by mail for the February 15, 2022 election is January 31, 2022. After that date, you will need to update your information in person at the voting center or a polling place.

## Voter Registration Privacy Information

Information in your voter registration record is used by election officials to send you official election materials. Commercial use of voter registration information is prohibited by law and is a misdemeanor. Voter information may be provided upon request for election, scholarly, journalistic, political, or governmental purposes, as determined by the Secretary of State. Certain information such as driver license, social security numbers and signatures on record cannot be released for these purposes. If you have any questions about the use of voter information or wish to report suspected misuse of such information, call the Secretary of State's toll-free Voter Hotline: (800) 345-VOTE (8683).

## Safe at Home Program

Safe at Home is a confidential address program administered by the California Secretary of State. Certain voters facing life-threatening situations may qualify for confidential voter status. For more information, contact the Secretary of State's Safe at Home program toll-free at (877) 322-5227, or visit [sos.ca.gov](https://sos.ca.gov).